

# **Adaptive<sup>®</sup>**

## **Cables, Adapters, and Interfaces**

---

**ADAPTIVE<sup>®</sup>**

**NOTE:** Due to continuing product innovation, specifications in this manual are subject to change without notice.

© Copyright 2001 Adaptive Micro Systems, Inc. All rights reserved.

Adaptive Micro Systems

7840 North 86th Street

Milwaukee, WI 53224 USA

414-357-2020


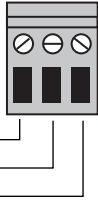
414-357-2029 (fax)

<http://www.adaptivedisplays.com>

The following are trademarks of Adaptive Micro Systems: Adaptive, Alpha, AlphaNet plus, AlphaEclipse, AlphaPremiere, AlphaTicker, AlphaVision, AlphaVision InfoTracker, Automode, BetaBrite, BetaBrite Director, BetaBrite Messaging Software, Big Dot, PPD, Smart Alec, Solar, TimeNet.




The distinctive trade dress of this product is a trademark claimed by Adaptive Micro Systems, Inc.

# Sign Connector Pinouts

Connection	Pinout	Sign type (CM = Character Matrix, FM = Full Matrix)								
		AlphaVision™ 2.1" (CM)	AlphaVision™ 3.2" (CM)	AlphaVision (FM)	Alpha® 200, 300, 4000 and 7000 series	BetaBrite®	Big Dot®	Director™	PPD	Solar™
RS485	<p><b>Pinouts:</b>                      1 = no connect                      2 = RS485 (+)                      3 = no connect                      4 = no connect                      5 = RS485 (-)                      6 = no connect</p> <div style="text-align: center;"> <p><b>RJ12 (female)</b></p>  </div>	●	●	●	●		●	●	●	
	<p>This connector is inside the sign.</p>  <p>RS485 (-)                      RS485 (+)                      SHIELD</p>									●

© Copyright 2001 Adaptive Micro Systems, Inc. All rights reserved.  
 Adaptive Micro Systems • 7840 North 86th Street • Milwaukee, WI 53224 USA • 414-357-2020 • 414-357-2029 (fax) • www.adaptivedisplays.com  
 The following are trademarks of Adaptive Micro Systems: Adaptive, Alpha, AlphaNet plus, AlphaEclipse, AlphaPremiere, AlphaTicker, AlphaVision, AlphaVision InfoTracker, Automode, BetaBrite, BetaBrite Director, BetaBrite Messaging Software, Big Dot, PPD, Smart Alec, Solar, TimeNet.  
 The distinctive Trade Dress of this product is a trademark claimed by Adaptive Micro Systems, Inc.  
 Due to continuing product innovation, specifications in this manual are subject to change without notice.

Sign Connector Pinouts

Connection	Pinout	Sign type (CM = Character Matrix, FM = Full Matrix)							
		AlphaVision™ 2.1" (CM)	AlphaVision™ 3.2" (CM)	AlphaVision (FM)	Alpha® 200, 300, 4000 and 7000 series	BetaBrite®	Big Dot®	Director™	PPD
RS232	<p><b>Pinouts:</b> 1 = GND 2 = no connect 3 = RXD 4 = TXD (TTL) 5 = no connect 6 = +5V (200 mA max)</p> <p><b>RJ12 (female)</b></p> 					●			
	<p>This connector is inside the sign.</p>  <p>Fused ISO +5V TXD RXD RS232 GND</p>								●
RS232/ RS485/TTL	<p><b>Pinouts:</b> 1 = GND 2 = RS485 (+) 3 = RXD 4 = TXD 5 = RS485 (-) 6 = +5V (200 mA max)</p> <p><b>RJ12 (female)</b></p> 	●	●	●	●		●	●	●

# Part number: 1036-9010

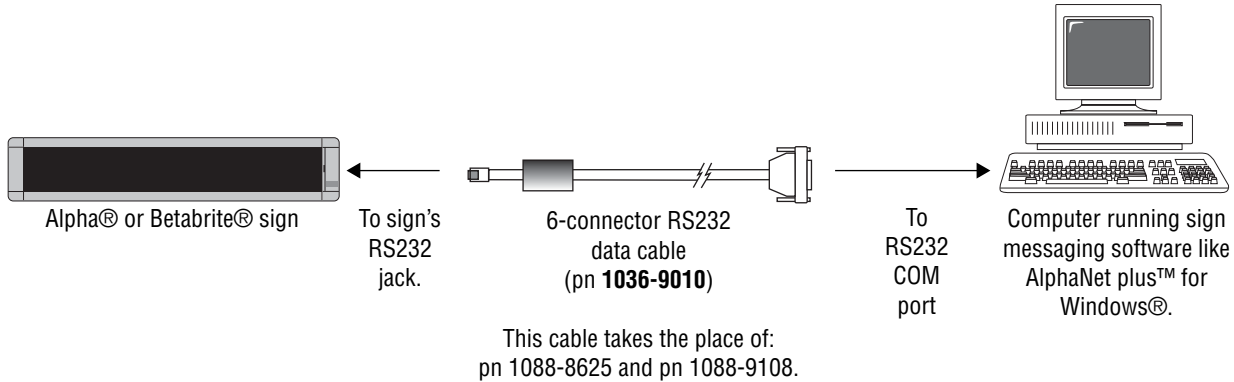
## Description

25-foot RS232 cable:



## Typical use

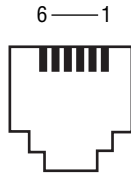
Used as part of an RS232 connection between a computer with a DB9 (9-pin) COM port and a sign so that messages can be sent to the sign from the computer:



© Copyright 2001 Adaptive Micro Systems, Inc. All rights reserved.  
Adaptive Micro Systems • 7840 North 86th Street • Milwaukee, WI 53224 USA • 414-357-2020 • 414-357-2029 (fax) • www.adaptivedisplays.com  
The following are trademarks of Adaptive Micro Systems: Adaptive, Alpha, AlphaNet plus, AlphaEclipse, AlphaPremiere, AlphaTicker, AlphaVision, AlphaVision InfoTracker, Automode, BetaBrite, BetaBrite Director, BetaBrite Messaging Software, Big Dot, PPD, Smart Alec, Solar, TimeNet.  
The distinctive Trade Dress of this product is a trademark claimed by Adaptive Micro Systems, Inc.  
Due to continuing product innovation, specifications in this manual are subject to change without notice.

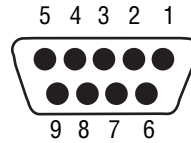
# Pinouts

**RJ12**  
(male)



<u>Pin</u>	<u>Signal</u>
1	Signal GND
2	not connected
3	RXD
4	TXD
5	not connected
6	not connected

**DB9**  
(female)



<u>Pin</u>	<u>Signal</u>
1	DCD
2	RXD
3	TXD
4	DTR
5	Signal GND
6	DSR
7	RTS
8	CTS
9	not connected

**RJ12**  
(male)

RXD PIN 3  
TXD PIN 4  
  
GND PIN 1

**DB9**  
(female)

PIN 3 TXD  
PIN 2 RXD  
PIN 7 RTS  
PIN 8 CTS  
PIN 5 GND  
PIN 6 DSR  
PIN 1 DCD  
PIN 4 DTR

Green

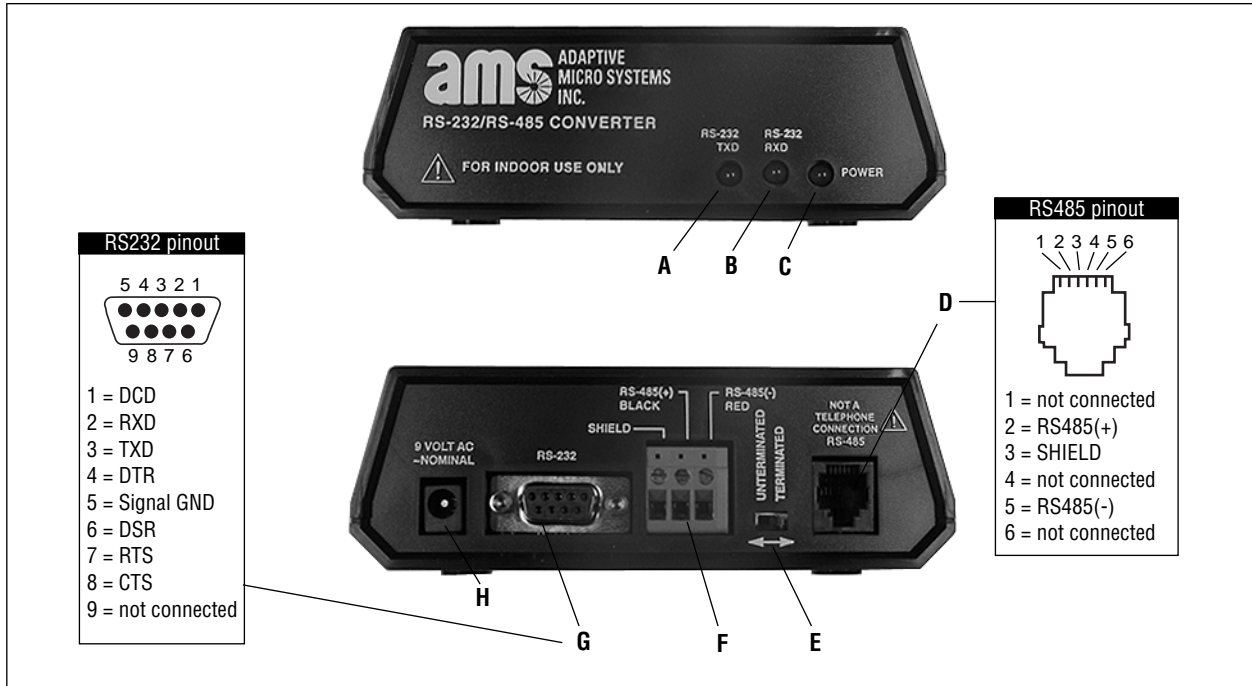
Red

Blue

# Part number: 1088-1111

## Description

RS232-to-RS485 Converter Box III:

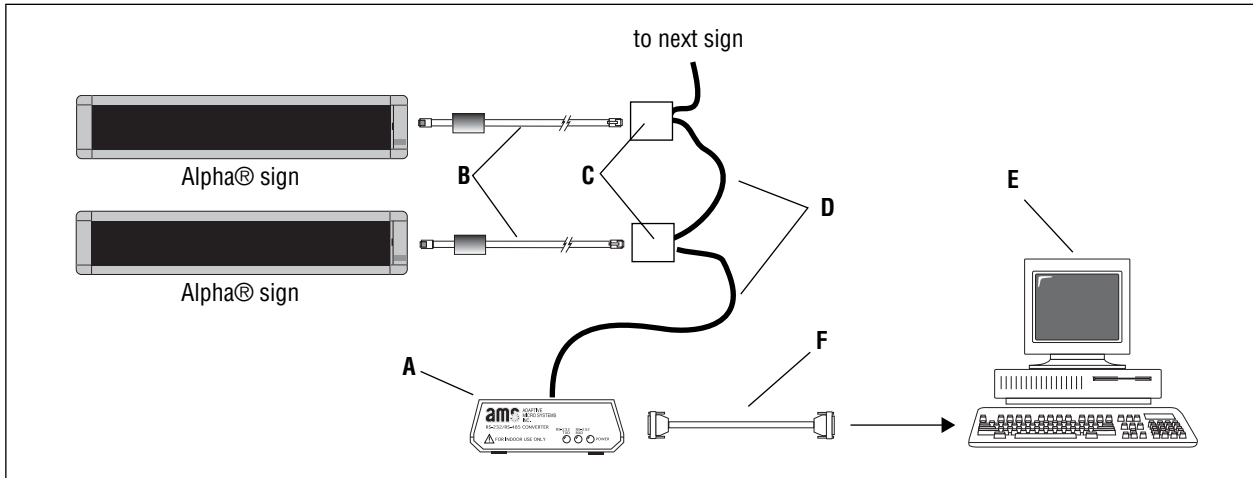


Item	Name	Description
A	RS232 TXD indicator	When lit, indicates that the unit is <u>transmitting</u> data through the RS232 plug and receiving data through one of the RS485 connections.
B	RS232 RXD indicator	When lit, indicates that the unit is <u>receiving</u> data through the RS232 plug and transmitting data through one of the RS485 connections.
C	POWER indicator	When lit, indicates that the unit has power.
D	RS485 jack	Connects a <u>single</u> Alpha® sign to the unit. For <u>multiple</u> sign networking, use the RS485 connector block.
E	termination selector	Set to <i>Terminated</i> or <i>Unterminated</i> depending on how signs are networked.
F	RS485 connector block	Connects multiple Alpha® signs to a network.
G	RS232 plug	Connects to a computer's COM (RS232) port.
H	power plug	Supplies 9 VAC to the unit.

© Copyright 2001 Adaptive Micro Systems, Inc. All rights reserved.  
 Adaptive Micro Systems • 7840 North 86th Street • Milwaukee, WI 53224 USA • 414-357-2020 • 414-357-2029 (fax) • www.adaptivedisplays.com  
 The following are trademarks of Adaptive Micro Systems: Adaptive, Alpha, AlphaNet plus, AlphaEclipse, AlphaPremiere, AlphaTicker, AlphaVision, AlphaVision InfoTracker, Automode, BetaBrite, BetaBrite Director, BetaBrite Messaging Software, Big Dot, PPD, Smart Alec, Solar, TimeNet.  
 The distinctive Trade Dress of this product is a trademark claimed by Adaptive Micro Systems, Inc.  
 Due to continuing product innovation, specifications in this manual are subject to change without notice.

## Typical use

Used to connect a computer to a Converter Box III as part of an RS485 network:



Item	Part number	Description
A	<b>1088-1111</b>	<b>Converter Box III</b>
B	1088-8624	8-foot RS485 cable
	1086-8636	1-foot RS485 cable
C	4331-0602	Modular Network Adapter
D	1088-8002	RS485 wire, 22AWG, 1000-foot spool
	7122-0283	RS485 wire, 22AWG, in 100-foot lengths
	7122-0284	RS485 wire, 22AWG, rated for outdoor use at -20° to 150°C
E	-	Computer running sign messaging software like AlphaNet plus™ for Windows®
F	1088-8634	10-foot computer-to-Converter Box Type A9 RS232 cable



# Part number: 1088-8621

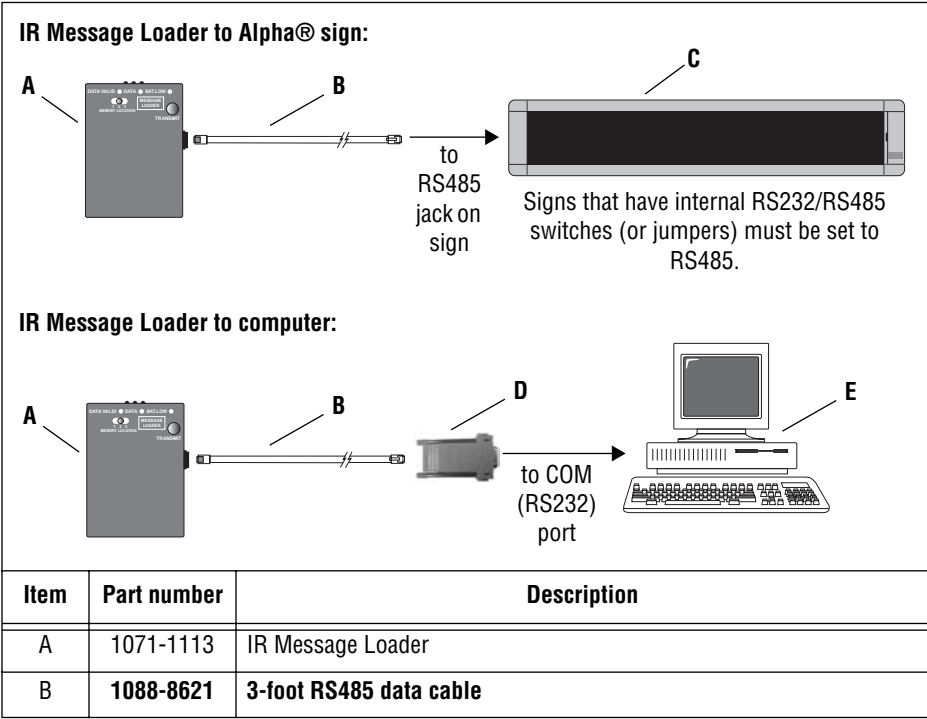
## Description

3-foot 6-conductor cable:



## Typical use

Used to connect an IR Message Loader to an Alpha® sign or to a computer:

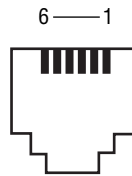


© Copyright 2001 Adaptive Micro Systems, Inc. All rights reserved.  
 Adaptive Micro Systems • 7840 North 86th Street • Milwaukee, WI 53224 USA • 414-357-2020 • 414-357-2029 (fax) • www.adaptivedisplays.com  
 The following are trademarks of Adaptive Micro Systems: Adaptive, Alpha, AlphaNet plus, AlphaEclipse, AlphaPremiere, AlphaTicker, AlphaVision, AlphaVision InfoTracker, Automode, BetaBrite, BetaBrite Director, BetaBrite Messaging Software, Big Dot, PPD, Smart Alec, Solar, TimeNet.  
 The distinctive Trade Dress of this product is a trademark claimed by Adaptive Micro Systems, Inc.  
 Due to continuing product innovation, specifications in this manual are subject to change without notice.

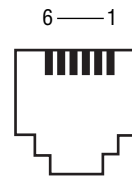
C	-	Alpha® sign
D	1088-9108	RJ11-to-DB9 connector
E	-	Computer running AlphaNet plus™ for Windows® software

## Pinouts

**RJ12**  
(male)



**RJ12**  
(male)



**RJ12**  
(to IR Message Loader)

**RJ12**  
(to Alpha® sign or computer)

GND	PIN 1	White	PIN 1	GND
RS485(+)	PIN 2	Black	PIN 2	RS485(+)
RXD	PIN 3	Red	PIN 3	RXD
TXD	PIN 4	Green	PIN 4	TXD
RS485(-)	PIN 5	Yellow	PIN 5	RS485(-)
+5V	PIN 6	Blue	PIN 6	+5V

# Part number: 1088-8624

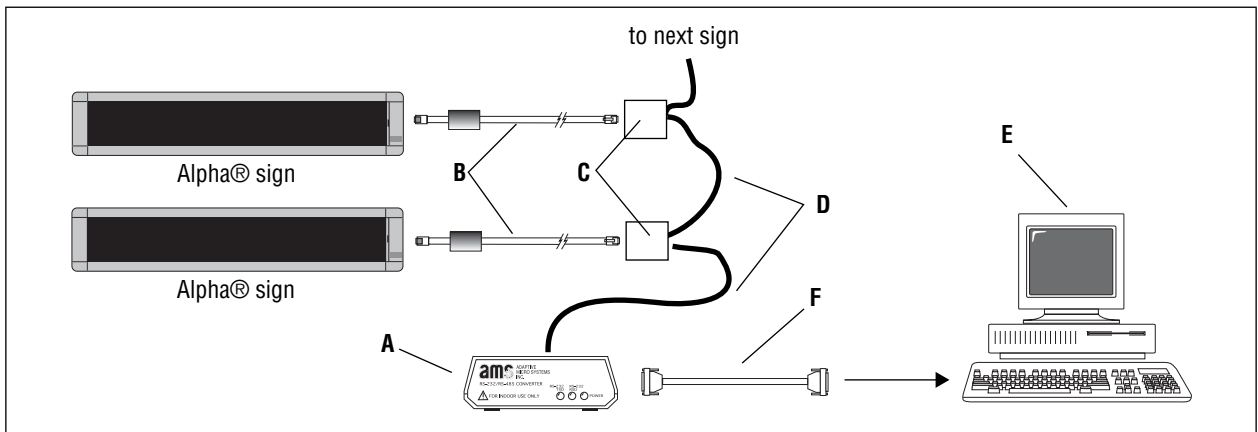
## Description

8-foot RS485 cable:



## Typical use

Used to connect an Alpha® sign to Modular Network Adapter as part of an RS485 network:



Item	Part number	Description
A	1088-1111	Converter Box III

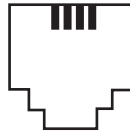
© Copyright 2001 Adaptive Micro Systems, Inc. All rights reserved.  
 Adaptive Micro Systems • 7840 North 86th Street • Milwaukee, WI 53224 USA • 414-357-2020 • 414-357-2029 (fax) • www.adaptivedisplays.com  
 The following are trademarks of Adaptive Micro Systems: Adaptive, Alpha, AlphaNet plus, AlphaEclipse, AlphaPremiere, AlphaTicker, AlphaVision, AlphaVision InfoTracker, Automode, BetaBrite, BetaBrite Director, BetaBrite Messaging Software, Big Dot, PPD, Smart Alec, Solar, TimeNet.  
 The distinctive Trade Dress of this product is a trademark claimed by Adaptive Micro Systems, Inc.  
 Due to continuing product innovation, specifications in this manual are subject to change without notice.

B	<b>1088-8624</b>	<b>8-foot RS485 cable</b>
	1086-8636	1-foot RS485 cable
C	4331-0602	Modular Network Adapter
D	1088-8002	RS485 wire, 22AWG, 1000-foot spool
	7122-0283	RS485 wire, 22AWG, in 100-foot lengths
	7122-0284	RS485 wire, 22AWG, rated for outdoor use at -20° to 150°C
E	-	Computer running sign messaging software like AlphaNet plus™ for Windows®
F	1088-8634	10-foot computer-to-Converter Box Type A9 RS232 cable

## Pinouts

**RJ11**  
(male)

4—1



**RJ11**  
(male)

4—1



**RJ11**  
(to sign)

**RJ11**  
(to Modular Network Adapter)

RS485(+)	PIN 1	Black*	PIN 1	RS485(+)
	PIN 2	Red*	PIN 2	SHIELD
	PIN 3	Green*	PIN 3	
RS485(-)	PIN 4	Yellow*	PIN 4	RS485(-)

\*These are also the wire colors in the Modular Network Adapter.

# Part number: 1088-8625

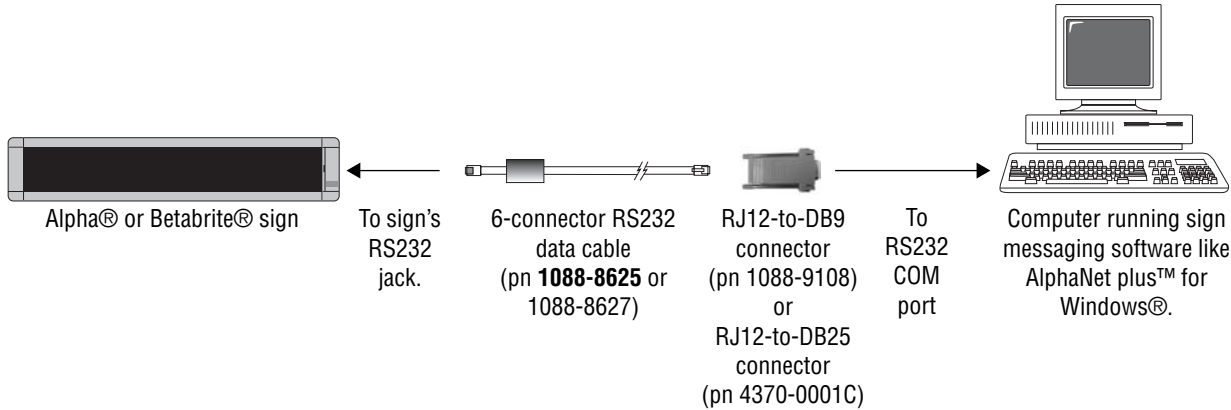
## Description

25-foot RS232 cable:



## Typical use

Used as part of an RS232 connection between a computer with a DB25 (25-pin) or DB9 (9-pin) COM port and a sign so that messages can be sent to the sign from the computer:



© Copyright 2001 Adaptive Micro Systems, Inc. All rights reserved.  
Adaptive Micro Systems • 7840 North 86th Street • Milwaukee, WI 53224 USA • 414-357-2020 • 414-357-2029 (fax) • www.adaptivedisplays.com  
The following are trademarks of Adaptive Micro Systems: Adaptive, Alpha, AlphaNet plus, AlphaEclipse, AlphaPremiere, AlphaTicker, AlphaVision, AlphaVision InfoTracker, Automode, BetaBrite, BetaBrite Director, BetaBrite Messaging Software, Big Dot, PPD, Smart Alec, Solar, TimeNet.  
The distinctive Trade Dress of this product is a trademark claimed by Adaptive Micro Systems, Inc.  
Due to continuing product innovation, specifications in this manual are subject to change without notice.

# Pinouts

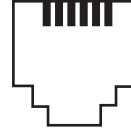
**RJ12**  
(male)

6 — 1



**RJ12**  
(male)

6 — 1



**RJ12**  
(from sign)

**RJ12**  
(to computer)

GND	PIN 1	Blue	PIN 1	GND
RS485(+)*	PIN 2	Yellow	PIN 2	RS485(+)*
RXD	PIN 3	Green	PIN 3	RXD
TXD	PIN 4	Red	PIN 4	TXD
RS485(-)*	PIN 5	Black	PIN 5	RS485(-)*
+5V	PIN 6	White	PIN 6	+5V

\* Not available on BetaBrite® sign

# Part number: 1088-8626

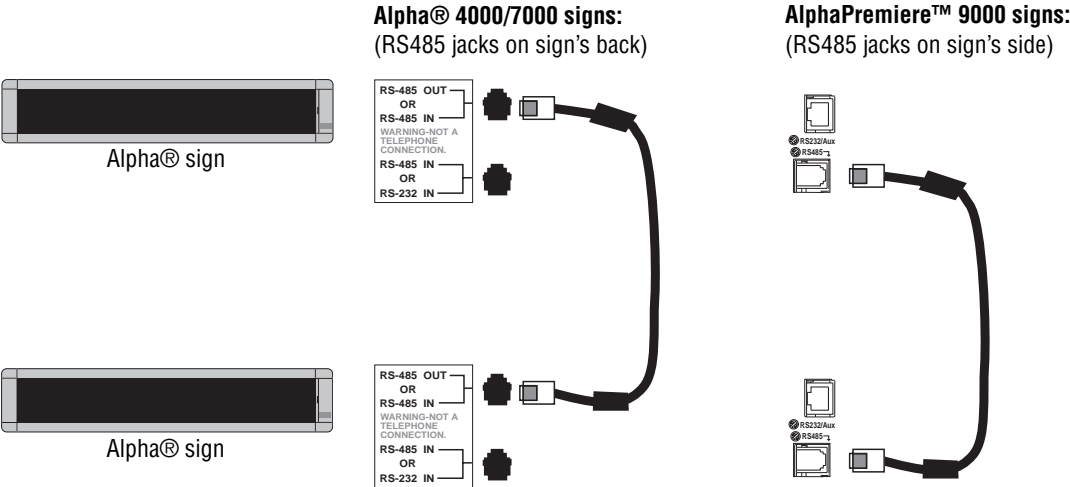
## Description

8-foot RS485 back-to-back cable:



## Typical use

Used to connect two Alpha® signs together into a RS485 network:



© Copyright 2001 Adaptive Micro Systems, Inc. All rights reserved.  
Adaptive Micro Systems • 7840 North 86th Street • Milwaukee, WI 53224 USA • 414-357-2020 • 414-357-2029 (fax) • www.adaptivedisplays.com  
The following are trademarks of Adaptive Micro Systems: Adaptive, Alpha, AlphaNet plus, AlphaEclipse, AlphaPremiere, AlphaTicker, AlphaVision, AlphaVision InfoTracker, Automode, BetaBrite, BetaBrite Director, BetaBrite Messaging Software, Big Dot, PPD, Smart Alec, Solar, TimeNet.  
The distinctive Trade Dress of this product is a trademark claimed by Adaptive Micro Systems, Inc.  
Due to continuing product innovation, specifications in this manual are subject to change without notice.

---

## Pinouts

---

**RJ11**  
(male)



**RJ11**  
(male)



**RJ11**

RS485(+)	PIN 1	Black	PIN 1	RS485(+)
	PIN 2	Red	PIN 2	
	PIN 3	Green	PIN 3	
RS485(-)	PIN 4	Yellow	PIN 4	RS485(-)

**RJ11**



# Part number: 1088-8627

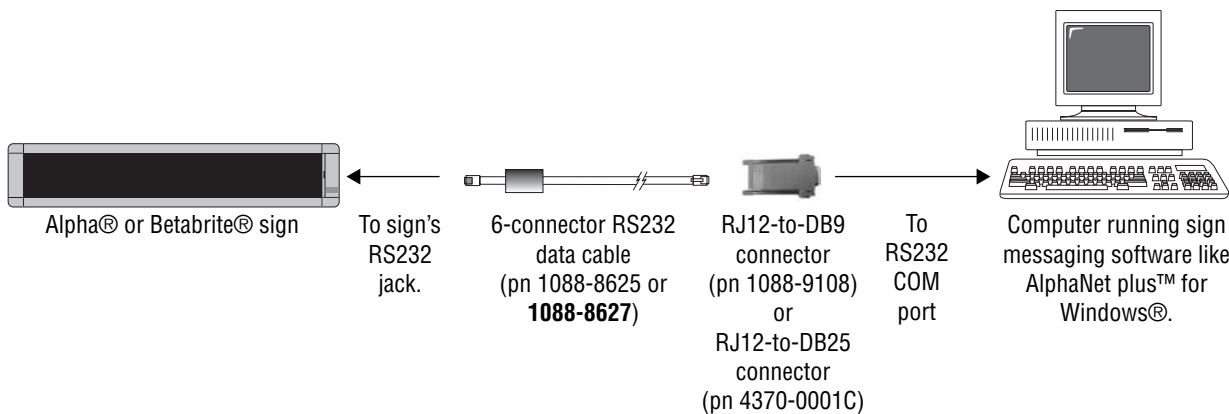
## Description

50-foot RS232 cable:



## Typical use

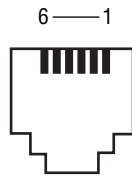
Used as part of an RS232 connection between a computer with a DB25 (25-pin) or DB9 (9-pin) COM port and a sign so that messages can be sent to the sign from the computer:



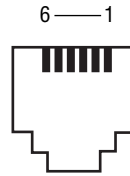
© Copyright 2001 Adaptive Micro Systems, Inc. All rights reserved.  
Adaptive Micro Systems • 7840 North 86th Street • Milwaukee, WI 53224 USA • 414-357-2020 • 414-357-2029 (fax) • www.adaptivedisplays.com  
The following are trademarks of Adaptive Micro Systems: Adaptive, Alpha, AlphaNet plus, AlphaEclipse, AlphaPremiere, AlphaTicker, AlphaVision, AlphaVision InfoTracker, Automode, BetaBrite, BetaBrite Director, BetaBrite Messaging Software, Big Dot, PPD, Smart Alec, Solar, TimeNet.  
The distinctive Trade Dress of this product is a trademark claimed by Adaptive Micro Systems, Inc.  
Due to continuing product innovation, specifications in this manual are subject to change without notice.

# Pinouts

**RJ12**  
(male)



**RJ12**  
(male)



**RJ12**  
(from sign)

**RJ12**  
(to computer)

GND	PIN 1	Blue	PIN 1	GND
RS485(+)*	PIN 2	Yellow	PIN 2	RS485(+)*
RXD	PIN 3	Green	PIN 3	RXD
TXD	PIN 4	Red	PIN 4	TXD
RS485(-)*	PIN 5	Black	PIN 5	RS485(-)*
+5V	PIN 6	White	PIN 6	+5V

\* Not available on BetaBrite® sign

# Part number: 1088-8628

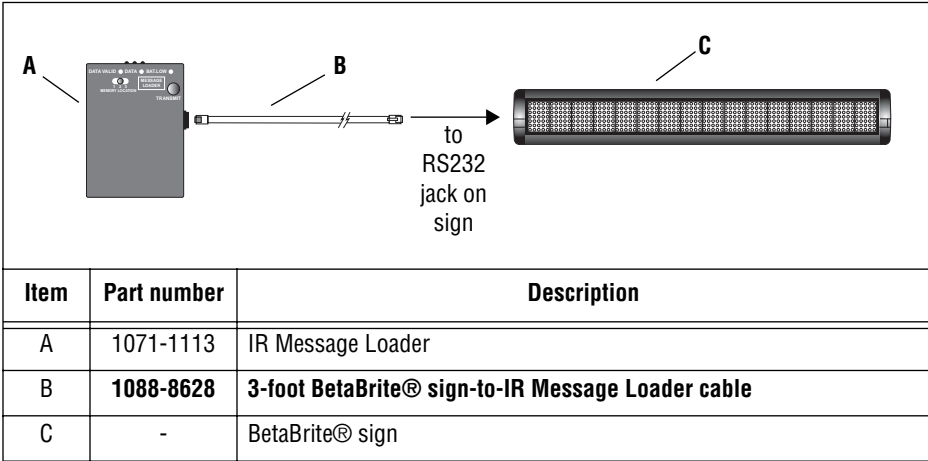
## Description

3-foot BetaBrite® sign-to-IR Message Loader cable:



## Typical use

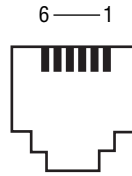
Used to connect an IR Message Loader to a BetaBrite® sign:



© Copyright 2001 Adaptive Micro Systems, Inc. All rights reserved.  
 Adaptive Micro Systems • 7840 North 86th Street • Milwaukee, WI 53224 USA • 414-357-2020 • 414-357-2029 (fax) • www.adaptivedisplays.com  
 The following are trademarks of Adaptive Micro Systems: Adaptive, Alpha, AlphaNet plus, AlphaEclipse, AlphaPremiere, AlphaTicker, AlphaVision, AlphaVision InfoTracker, Automode, BetaBrite, BetaBrite Director, BetaBrite Messaging Software, Big Dot, PPD, Smart Alec, Solar, TimeNet.  
 The distinctive Trade Dress of this product is a trademark claimed by Adaptive Micro Systems, Inc.  
 Due to continuing product innovation, specifications in this manual are subject to change without notice.

# Pinouts

**RJ12**  
(male)



**RJ12**  
(male)



**RJ12**  
(to IR Message Loader)

GND  
RS485(+)\*  
RXD  
TXD  
RS485(-)\*  
+5V

PIN 1  
PIN 2  
PIN 3  
PIN 4  
PIN 5  
PIN 6

Blue  
Yellow  
Green  
Red  
Black  
White

**RJ12**  
(to BetaBrite® sign)

PIN 1 GND  
PIN 2 RS485(+)\*  
PIN 4 TXD  
PIN 3 RXD  
PIN 5 RS485(-)\*  
PIN 6 +5V

\* Not used by BetaBrite® sign

# Part number: 1088-8634

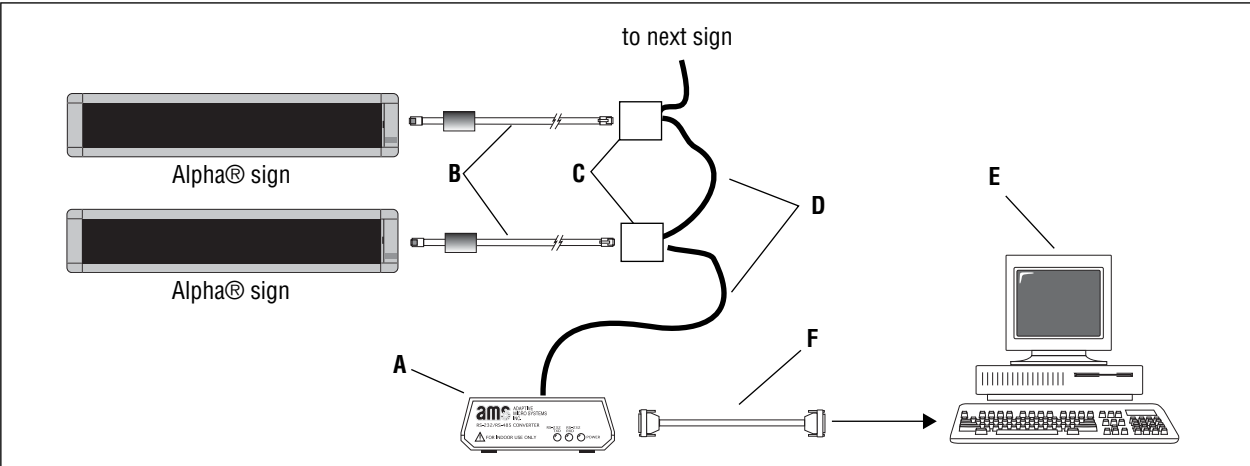
## Description

10-foot computer-to-Converter Box III Type A9 RS232 cable:



## Typical use

Used to connect a computer to a Converter Box III as part of a RS485 network:



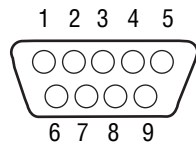
Item	Part number	Description
A	1088-1111	Converter Box III

© Copyright 2001 Adaptive Micro Systems, Inc. All rights reserved.  
 Adaptive Micro Systems • 7840 North 86th Street • Milwaukee, WI 53224 USA • 414-357-2020 • 414-357-2029 (fax) • www.adaptivedisplays.com  
 The following are trademarks of Adaptive Micro Systems: Adaptive, Alpha, AlphaNet plus, AlphaEclipse, AlphaPremiere, AlphaTicker, AlphaVision, AlphaVision InfoTracker, Automode, BetaBrite, BetaBrite Director, BetaBrite Messaging Software, Big Dot, PPD, Smart Alec, Solar, TimeNet.  
 The distinctive Trade Dress of this product is a trademark claimed by Adaptive Micro Systems, Inc.  
 Due to continuing product innovation, specifications in this manual are subject to change without notice.

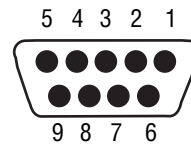
B	1088-8624	8-foot RS485 cable
	1086-8636	1-foot RS485 cable
C	4331-0602	Modular Network Adapter
D	1088-8002	RS485 wire, 22AWG, 1000-foot spool
	7122-0283	RS485 wire, 22AWG, in 100-foot lengths
	7122-0284	RS485 wire, 22AWG, rated for outdoor use at -20° to 150°C
E	-	Computer running sign messaging software like AlphaNet plus™ for Windows®
F	<b>1088-8634</b>	<b>10-foot computer-to-Converter Box Type A9 RS232 cable</b>

## Pinouts

**DB9**  
(male)

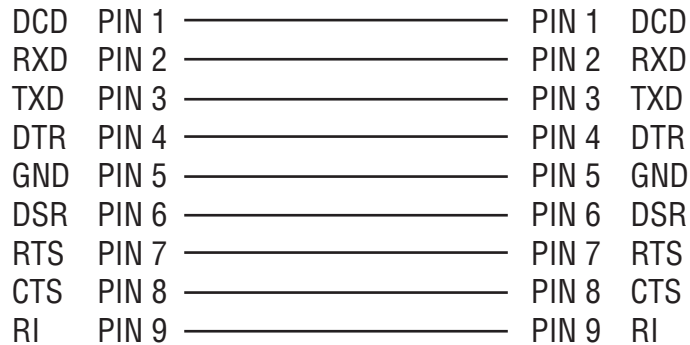


**DB9**  
(female)



**DB9**  
(male - to Converter Box III)

**DB9**  
(female - to computer)



# Part number: 1088-8635

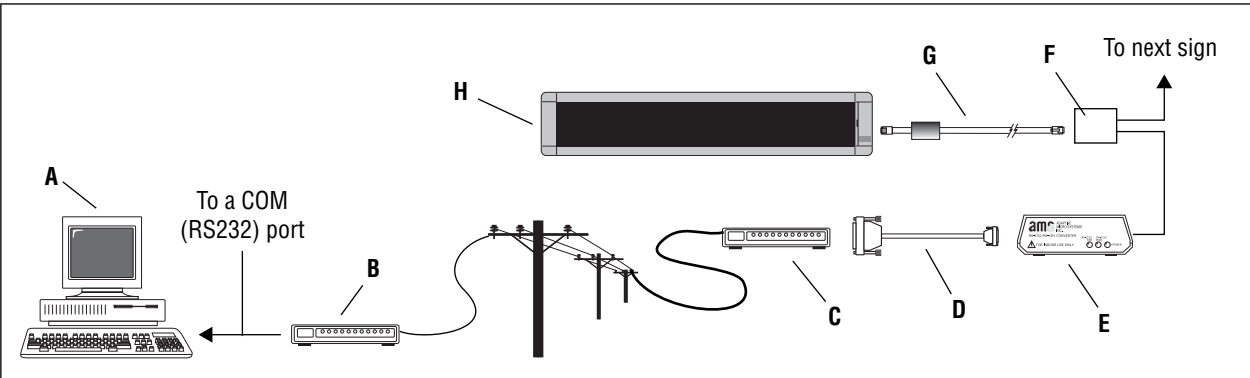
## Description

10-foot modem-to-Converter Box III Type B9 RS232 cable:



## Typical use

Used to connect an Alpha® sign to Modular Network Adapter as part of an RS485 network:



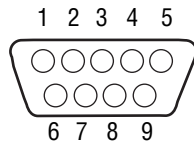
Item	Part number	Description
A	-	Computer running sign messaging software like AlphaNet plus™ for Windows®

© Copyright 2001 Adaptive Micro Systems, Inc. All rights reserved.  
 Adaptive Micro Systems • 7840 North 86th Street • Milwaukee, WI 53224 USA • 414-357-2020 • 414-357-2029 (fax) • www.adaptivedisplays.com  
 The following are trademarks of Adaptive Micro Systems: Adaptive, Alpha, AlphaNet plus, AlphaEclipse, AlphaPremiere, AlphaTicker, AlphaVision, AlphaVision InfoTracker, Automode, BetaBrite, BetaBrite Director, BetaBrite Messaging Software, Big Dot, PPD, Smart Alec, Solar, TimeNet.  
 The distinctive Trade Dress of this product is a trademark claimed by Adaptive Micro Systems, Inc.  
 Due to continuing product innovation, specifications in this manual are subject to change without notice.

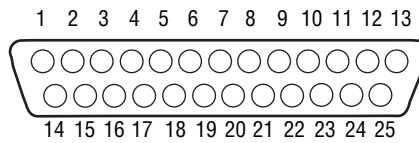
B	-	Transmitting modem
C	-	Receiving modem
D	1088-8635	10-foot modem-to-Converter Box II Type B9 RS232 cable
E	1088-111	Converter Box III
F	4331-0602	Modular Network Adapter
G	1088-8624	8-foot RS485 cable
	1086-8636	1-foot RS485 cable
H	-	Alpha® sign

## Pinouts

**DB9**  
(male)



**DB25**  
(male)



**DB9**  
(male - to Converter Box III)

**DB25**  
(male - to modem)

DCD	PIN 1	—————	PIN 8	DCD
RXD	PIN 2	—————	PIN 2	RXD
TXD	PIN 3	—————	PIN 3	TXD
DTR	PIN 4	—————	PIN 20	DTR
GND	PIN 5	—————	PIN 7	GND
DSR	PIN 6	not connected		
RTS	PIN 7	not connected		
CTS	PIN 8	not connected		
	PIN 9	not connected		



# Part number: 1088-8636

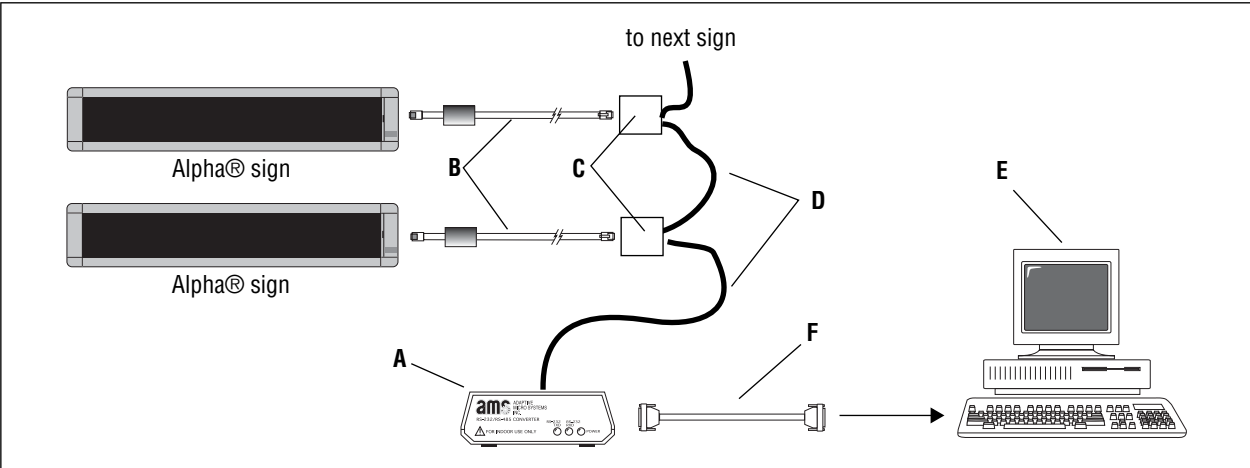
## Description

1-foot RS485 cable:



## Typical use

Used to connect an Alpha® sign to Modular Network Adapter as part of an RS485 network:



Item	Part number	Description
A	1088-1111	Converter Box III

© Copyright 2001 Adaptive Micro Systems, Inc. All rights reserved.  
 Adaptive Micro Systems • 7840 North 86th Street • Milwaukee, WI 53224 USA • 414-357-2020 • 414-357-2029 (fax) • www.adaptivedisplays.com  
 The following are trademarks of Adaptive Micro Systems: Adaptive, Alpha, AlphaNet plus, AlphaEclipse, AlphaPremiere, AlphaTicker, AlphaVision, AlphaVision InfoTracker, Automode, BetaBrite, BetaBrite Director, BetaBrite Messaging Software, Big Dot, PPD, Smart Alec, Solar, TimeNet.  
 The distinctive Trade Dress of this product is a trademark claimed by Adaptive Micro Systems, Inc.  
 Due to continuing product innovation, specifications in this manual are subject to change without notice.

B	1088-8624	8-foot RS485 cable
	<b>1086-8636</b>	<b>1-foot RS485 cable</b>
C	4331-0602	Modular Network Adapter
D	1088-8002	RS485 wire, 22AWG, 1000-foot spool
	7122-0283	RS485 wire, 22AWG, in 100-foot lengths
	7122-0284	RS485 wire, 22AWG, rated for outdoor use at -20° to 150°C
E	-	Computer running sign messaging software like AlphaNet plus™ for Windows®
F	1088-8634	10-foot computer-to-Converter Box Type A9 RS232 cable

## Pinouts

**RJ11**  
(male)



**RJ11**  
(male)



**RJ11**  
(to sign)

**RJ11**  
(to Modular Network Adapter)

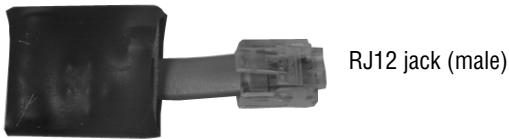
RS485(+)	PIN 1	————— Black* —————	PIN 1	RS485(+)
	PIN 2	————— Red* —————	PIN 2	SHIELD
	PIN 3	————— Green* —————	PIN 3	
RS485(-)	PIN 4	————— Yellow* —————	PIN 4	RS485(-)

\*These are also the wire colors in Modular Network Adapter.

# Part number: 1088-9107

## Description

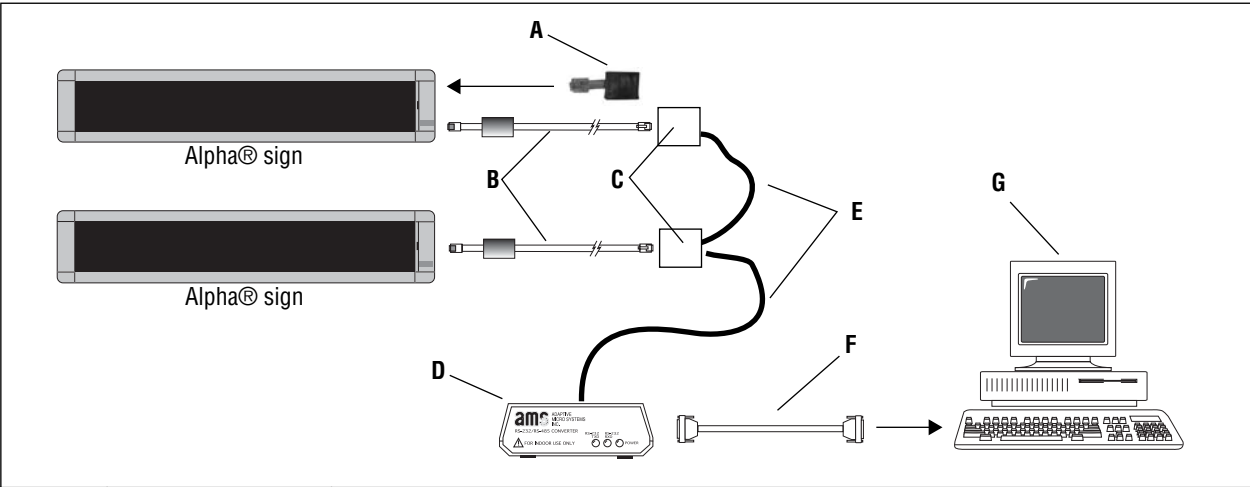
EOL (End-Of-Line) terminator:



RJ12 jack (male)

## Typical use

Connected to the RS232 (or TTL) plug of the last Alpha® sign on an RS485 network:



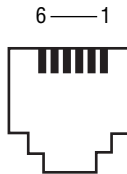
Item	Part number	Description
A	<b>1088-9107</b>	<b>EOL (End-Of-Line) terminator</b>
B	1088-8624	8-foot RS485 cable
	1086-8636	1-foot RS485 cable
C	4331-0602	Modular Network Adapter
D	1088-1111	Converter Box III

© Copyright 2001 Adaptive Micro Systems, Inc. All rights reserved.  
 Adaptive Micro Systems • 7840 North 86th Street • Milwaukee, WI 53224 USA • 414-357-2020 • 414-357-2029 (fax) • www.adaptivedisplays.com  
 The following are trademarks of Adaptive Micro Systems: Adaptive, Alpha, AlphaNet plus, AlphaEclipse, AlphaPremiere, AlphaTicker, AlphaVision, AlphaVision InfoTracker, Automode, BetaBrite, BetaBrite Director, BetaBrite Messaging Software, Big Dot, PPD, Smart Alec, Solar, TimeNet.  
 The distinctive Trade Dress of this product is a trademark claimed by Adaptive Micro Systems, Inc.  
 Due to continuing product innovation, specifications in this manual are subject to change without notice.

E	1088-8002	RS485 wire, 22AWG, 1000-foot spool
	7122-0283	RS485 wire, 22AWG, in 100-foot lengths
	7122-0284	RS485 wire, 22AWG, rated for outdoor use at -20° to 150°C
F	1088-8634	10-foot computer-to-Converter Box Type A9 RS232 cable
G	-	Computer running sign messaging software like AlphaNet plus™ for Windows®

## Pinouts

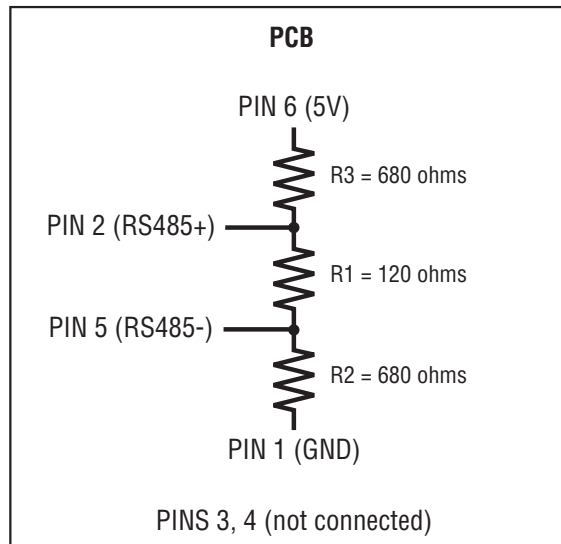
### RJ12 (male)



### RJ12

PIN 1	Blue	PIN 6
PIN 2	Yellow	PIN 5
PIN 3	Green	PIN 4
PIN 4	Red	PIN 3
PIN 5	Black	PIN 2
PIN 6	White	PIN 1

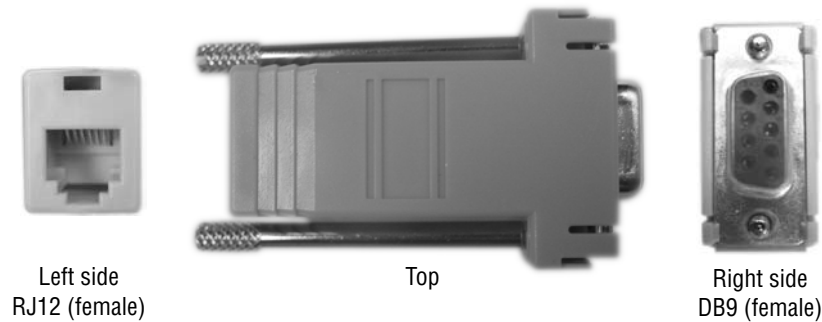
### PCB



# Part number: 1088-9108

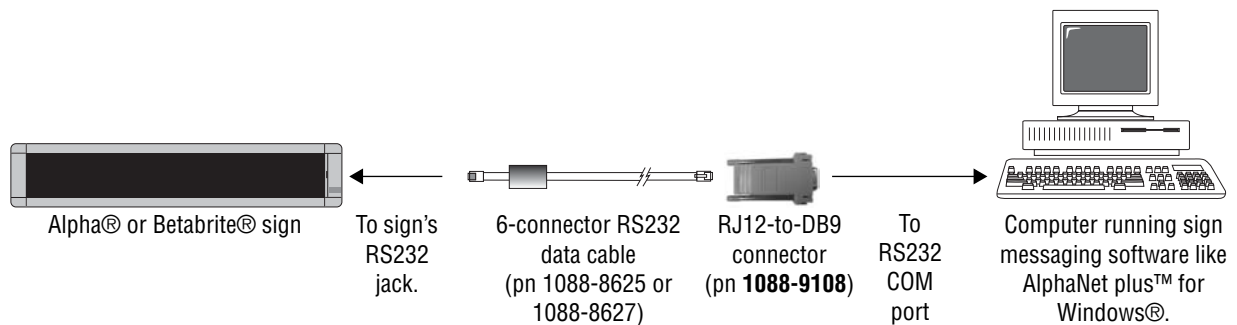
## Description

RJ12-to-DB9 connector:



## Typical use

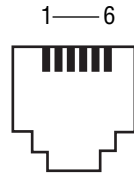
Used as part of an RS232 connection between a computer with a DB9 (9-pin) COM port and a sign so that messages can be sent to the sign from the computer:



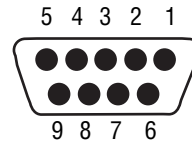
© Copyright 2001 Adaptive Micro Systems, Inc. All rights reserved.  
Adaptive Micro Systems • 7840 North 86th Street • Milwaukee, WI 53224 USA • 414-357-2020 • 414-357-2029 (fax) • www.adaptivedisplays.com  
The following are trademarks of Adaptive Micro Systems: Adaptive, Alpha, AlphaNet plus, AlphaEclipse, AlphaPremiere, AlphaTicker, AlphaVision, AlphaVision InfoTracker, Automode, BetaBrite, BetaBrite Director, BetaBrite Messaging Software, Big Dot, PPD, Smart Alec, Solar, TimeNet.  
The distinctive Trade Dress of this product is a trademark claimed by Adaptive Micro Systems, Inc.  
Due to continuing product innovation, specifications in this manual are subject to change without notice.

# Pinouts

**RJ12**  
(female)



**DB9**  
(female)

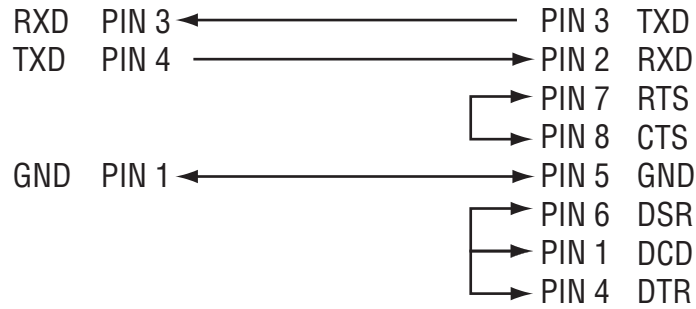


**RJ12**  
(female)

RXD PIN 3  
TXD PIN 4  
  
GND PIN 1

**DB9**  
(female)

PIN 3 TXD  
PIN 2 RXD  
PIN 7 RTS  
PIN 8 CTS  
PIN 5 GND  
PIN 6 DSR  
PIN 1 DCD  
PIN 4 DTR



# Part number: 4331-0602

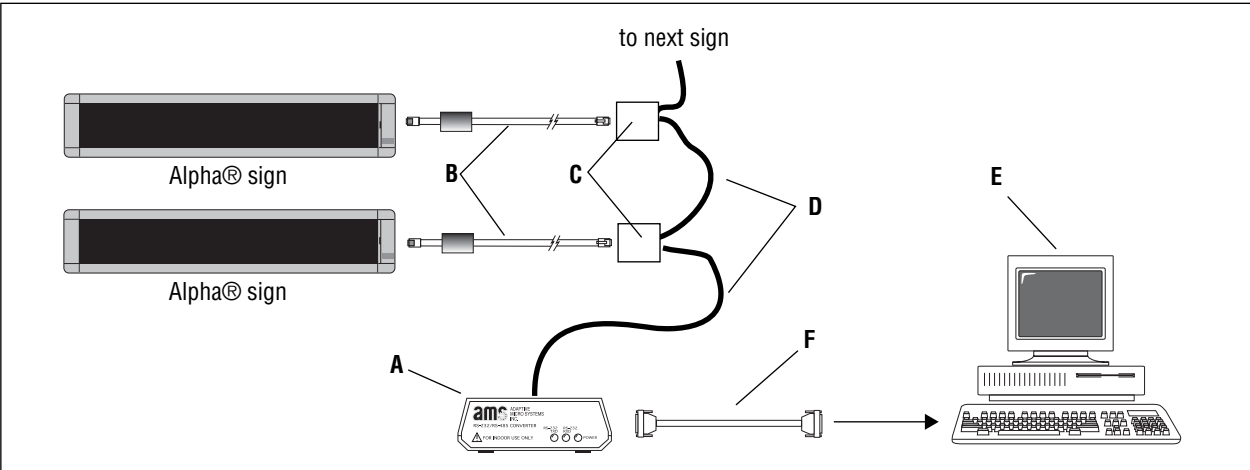
## Description

Modular Network Adapter:



## Typical use

Used to connect a computer to a Converter Box III as part of a RS485 network:



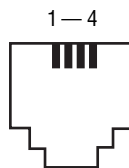
Item	Part number	Description
A	1088-1111	Converter Box III

© Copyright 2001 Adaptive Micro Systems, Inc. All rights reserved.  
 Adaptive Micro Systems • 7840 North 86th Street • Milwaukee, WI 53224 USA • 414-357-2020 • 414-357-2029 (fax) • www.adaptivedisplays.com  
 The following are trademarks of Adaptive Micro Systems: Adaptive, Alpha, AlphaNet plus, AlphaEclipse, AlphaPremiere, AlphaTicker, AlphaVision, AlphaVision InfoTracker, Automode, BetaBrite, BetaBrite Director, BetaBrite Messaging Software, Big Dot, PPD, Smart Alec, Solar, TimeNet.  
 The distinctive Trade Dress of this product is a trademark claimed by Adaptive Micro Systems, Inc.  
 Due to continuing product innovation, specifications in this manual are subject to change without notice.

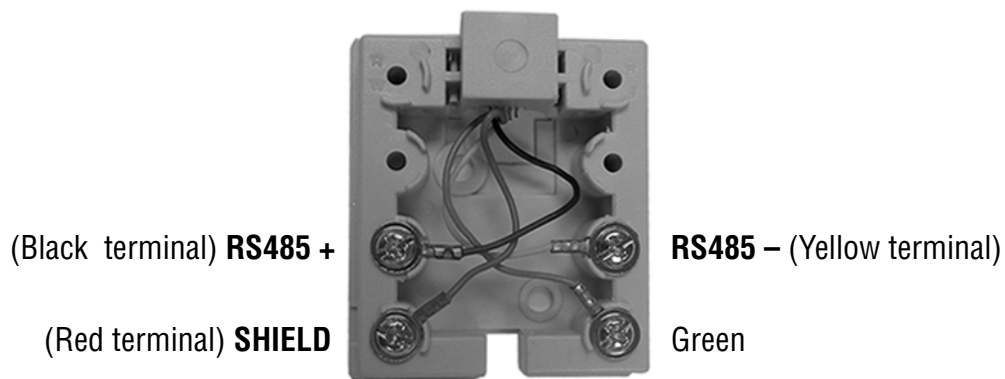
B	1088-8624	8-foot RS485 cable
	1086-8636	1-foot RS485 cable
C	<b>4331-0602</b>	<b>Modular Network Adapter</b>
D	1088-8002	RS485 wire, 22AWG, 1000-foot spool
	7122-0283	RS485 wire, 22AWG, in 100-foot lengths
	7122-0284	RS485 wire, 22AWG, rated for outdoor use at -20° to 150°C
E	-	Computer running sign messaging software like AlphaNet plus™ for Windows®
F	1088-8634	10-foot computer-to-Converter Box Type A9 RS232 cable

## Pinouts

**RJ11**  
(female)



<u>Pin</u>	<u>Signal</u>
1	RS485 +
2	SHIELD
3	not connected (Green terminal)
4	RS485 -



**NOTE:** If a Modular Network Adapter is connected to an Alpha® Personal Priority Display sign, then connect the two SHIELD wires together from each RS485 cable. However, do NOT connect the connected SHIELD wires to the Red terminal



# Part number: 4331-0603

## Description

RS232 cable connector:



Left jack  
RJ12 (female)



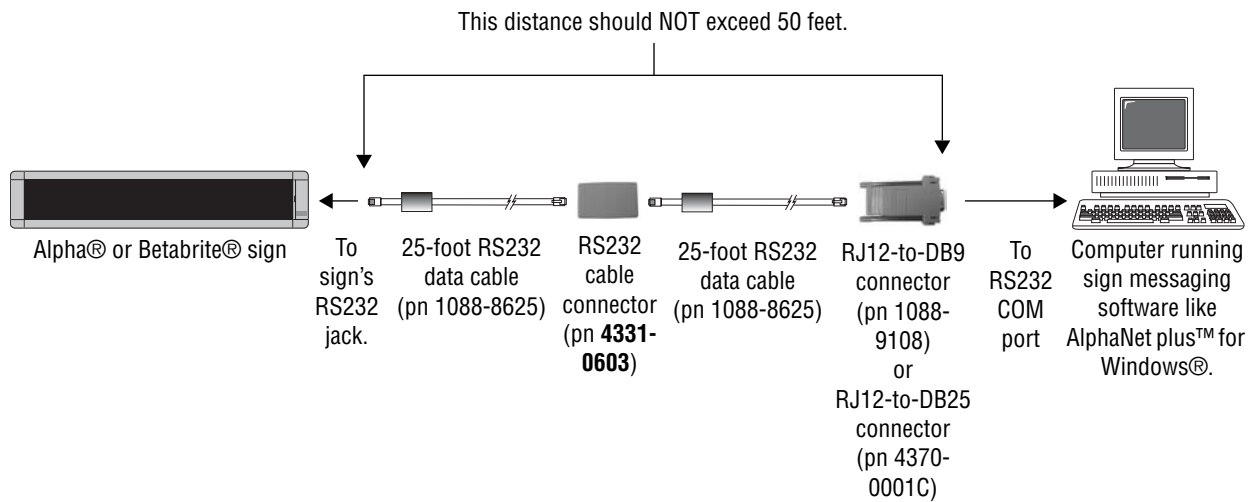
Top



Right jack  
RJ12 (female)

## Typical use

Used as part of an RS232 sign network to connect two lengths of 25-foot RS232 cable:



© Copyright 2001 Adaptive Micro Systems, Inc. All rights reserved.  
Adaptive Micro Systems • 7840 North 86th Street • Milwaukee, WI 53224 USA • 414-357-2020 • 414-357-2029 (fax) • www.adaptivedisplays.com  
The following are trademarks of Adaptive Micro Systems: Adaptive, Alpha, AlphaNet plus, AlphaEclipse, AlphaPremiere, AlphaTicker, AlphaVision, AlphaVision InfoTracker, Automode, BetaBrite, BetaBrite Director, BetaBrite Messaging Software, Big Dot, PPD, Smart Alec, Solar, TimeNet.  
The distinctive Trade Dress of this product is a trademark claimed by Adaptive Micro Systems, Inc.  
Due to continuing product innovation, specifications in this manual are subject to change without notice.

---

# Pinouts

---

**RJ12**  
(female)

1 — 6



**RJ12**  
(female)

**RJ12**  
(female)

PIN 1	—————	PIN 1
PIN 2	—————	PIN 2
PIN 3	—————	PIN 3
PIN 4	—————	PIN 4
PIN 5	—————	PIN 5
PIN 6	—————	PIN 6

# Part number: 4370-0001C

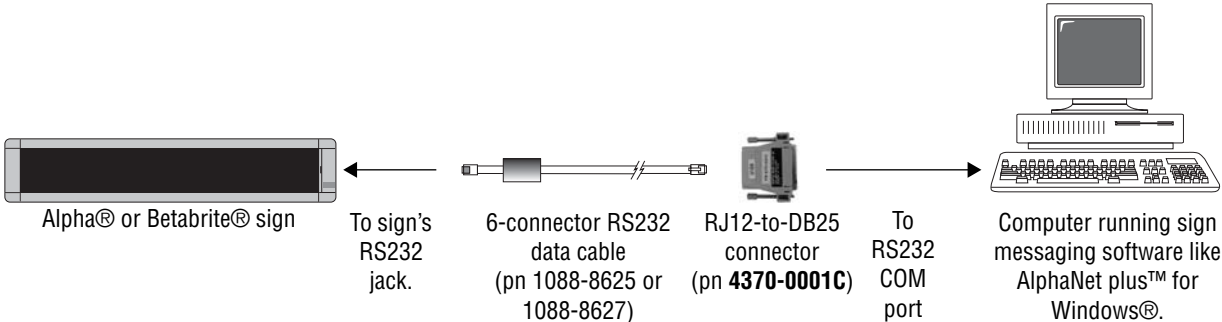
## Description

RJ12-to-DB25 connector:



## Typical use

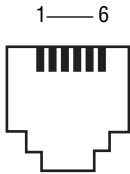
Used as part of an RS232 connection between a computer with a DB25 (25-pin) COM port and a sign so that messages can be sent to the sign from the computer:



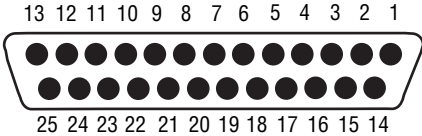
© Copyright 2001 Adaptive Micro Systems, Inc. All rights reserved.  
Adaptive Micro Systems • 7840 North 86th Street • Milwaukee, WI 53224 USA • 414-357-2020 • 414-357-2029 (fax) • www.adaptivedisplays.com  
The following are trademarks of Adaptive Micro Systems: Adaptive, Alpha, AlphaNet plus, AlphaEclipse, AlphaPremiere, AlphaTicker, AlphaVision, AlphaVision InfoTracker, Automode, BetaBrite, BetaBrite Director, BetaBrite Messaging Software, Big Dot, PPD, Smart Alec, Solar, TimeNet.  
The distinctive Trade Dress of this product is a trademark claimed by Adaptive Micro Systems, Inc.  
Due to continuing product innovation, specifications in this manual are subject to change without notice.

# Pinouts

**RJ12**  
(female)



**DB25**  
(female)



**RJ12**  
(female)

**DB25**  
(female)

