

PRIORITY:	Normal
DATE:	May 30, 2002
TITLE:	Cleaning AlphaEclipse™ 1500, 2500, 2600, and 3500 outdoor LED signs
ECO REFERENCE:	n/a
PRODUCT(S) AFFECTED:	AlphaEclipse™ 1500, 2500, 2600, and 3500 outdoor LED signs
SUMMARY:	This document describes how to clean the exteriors of AlphaEclipse™ 1500, 2500, 2600, and 3500 outdoor LED signs.

Introduction

From time to time it may be necessary to clean the exterior case and front lens (LED window) of an AlphaEclipse™ 1500, 2500, 2600, or 3500 outdoor sign. All these signs have NEMA 3R rated enclosures. NEMA 3R enclosures are defined as:

"Enclosures constructed for either indoor or outdoor use to provide a degree of protection to personnel against incidental contact with the enclosed equipment; to provide a degree of protection against falling dirt, rain, sleet, and snow; and that will be undamaged by the external formation of ice on the enclosure." (from **NEMA Standards Publication 250-1997**)

A sign should be hand cleaned with a non-abrasive detergent and rinsed with a low pressure (< 100 PSI) cold water hose. See "Cleaning instructions" on page 2.

- Do NOT use solvent-based cleaners, like acetone, on a sign as this could damage a sign's paint and front lens.
- Do NOT use high-pressure washers, hot water, or steam cleaners as these could damage the sign's front lens and internal electronics.

Related documentation

Table 1: Related documentation

Part number	Title
9711-6501	AlphaEclipse™ Time and Temperature Sign Installation Instructions (for the AlphaEclipse™ 1500 sign)
9711-7001	AlphaEclipse™ 2500/2600 Series Sign Installation Manual
9711-6009	AlphaEclipse™ 3500 Series Sign Installation and Service Manual

© Copyright 2002 Adaptive Micro Systems, Inc. All rights reserved.

Adaptive Micro Systems • 7840 North 86th Street • Milwaukee, WI 53224 USA • 414-357-2020 • 414-357-2029 (fax) • <http://www.adaptivedisplays.com>

The following are trademarks of Adaptive Micro Systems: Adaptive, Alpha, AlphaNet plus, AlphaEclipse, AlphaPremiere, AlphaTicker, AlphaVision, AlphaVision InfoTracker, Automode, BetaBrite, BetaBrite Director, BetaBrite Messaging Software, Big Dot, PPD, Smart Alec, Solar, TimeNet

The distinctive trade dress of this product is a trademark claimed by Adaptive Micro Systems, Inc.

Due to continuing product innovation, specifications in this manual are subject to change without notice.

Recommended material

Table 2: Recommended material

Item	Description
Meguiare's EXTRA All Surface Cleaner	Degreaser and stain remover
Meguiare's Soft Wash Gel	General purpose cleaning solution
Soft, non-wire bristle brush	Used to clean the sign's case. NOT for use on the sign's front lens
Terry cloth towels	Used to dry the sign's case and front lens
Garden-type hose for rinsing	Use a low pressure (< 100 PSI) cold water hose

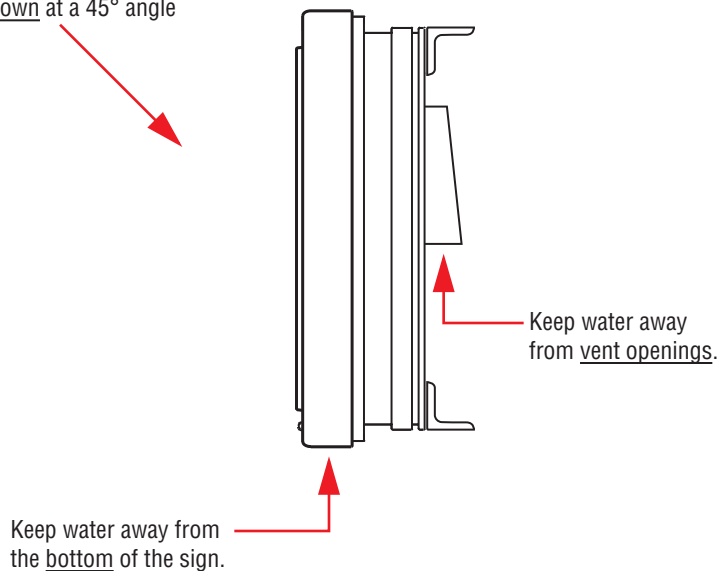
Cleaning instructions

1. If the sign is in a dusty environment or you suspect that the sign's drain holes (located on the bottom of a sign) are clogged, open the sign and clean any dirt and debris away from the drain holes. Then close the sign.

NOTE: To prevent the sign from overheating, also remove any debris (for example, bugs) from all of the sign's vent openings.

2. Inspect the sign to make sure that it properly sealed:
 - Is the sign's door closed and locked?
 - Are the power and signal wire entries into the sign watertight?
3. Using warm water, clean the sign with the items described in Table 2.
4. Rinse the sign using a low pressure (< 100 PSI) cold water hose. Hold the hose 3 to 6 feet away from the sign and point the hose down at a 45° angle:

Point hose down at a 45° angle



5. If desired, dry the sign with 100% terry cloth towels. (Other types of towels may damage the signs front lens.)