

Alpha Callisto

Discrete Input Interface



Alpha Callisto interfaces with any Alpha LED Display

- The Alpha Callisto Discrete Input Interface Dry Contact Module interfaces with any Alpha LED Display.
- Customized emergency messages can be displayed at the push of a button for an added level of facility security.
- Supports integration with leading fire and security panel manufacturers and network-based Emergency Mass Notification software providers.
- Alpha LED display models are available for Indoor, Semi-Outdoor and Outdoor applications.

Alpha Callisto

Discrete Input Interface

Interfaces with Alpha MNS and Alpha RGB LED Displays

- 8 contact closures per Alpha Callisto Device.
- Each Alpha Callisto Device can trigger up to eight customized messages.
- Up to four Alpha Callisto Devices can be stacked for a total of 32 contact closures and 32 messages.

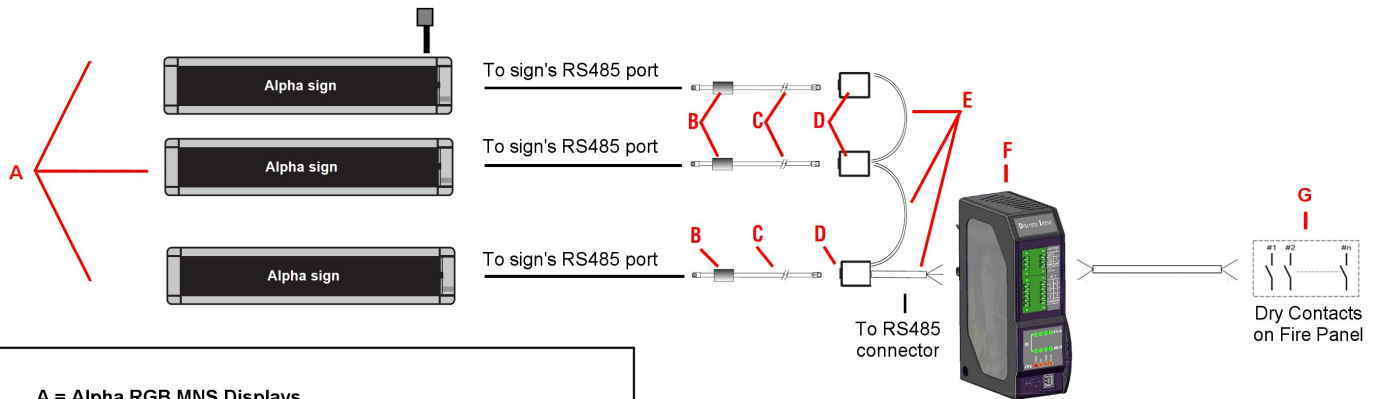


Alpha 4080 RGB MNS Display



Alpha 4120 RGB MNS Display

Weight	12 oz.
Dimensions	1.875" H x 5.875" W x 4" D
Storage Temp. Range	- 40° to 85°C
Operating Temp. Range	- 20° to 70°C
Humidity	10 to 90% non condensing
Avg. Current Draw	250 mA @ 5V
Input Voltage	AC Adaptor 5V DC
Enclosure Mounting	DIN-Mountable
Connection to Sign	RS485
Inputs per Module	8 Max
Networkable	Up to 4 Alpha Callisto Discrete modules on a network (32 inputs max)



- A = Alpha RGB MNS Displays
- B = Ferrite Sleeve
- C = 1' or 8' RS-485 Data Ribbon
- D = Module Network Adapter
- E = Twisted Pair Data Cable w/Ground
- F = Alpha Callisto (Can use up to 4 with 8 contacts per module)
- G = Dry Contact Connection on Fire Alarm Panel

Adaptive products are compliant with FCC "Rules and Regulations" Part 15, Subpart B, Sections 15.107b and 15.109b for Unintentional Radiators.