



PRIORITY:	Normal
DATE:	December 28, 2005
TITLE:	AlphaEclipse StreetSmart Signs Ground Wire Connections
ECO REFERENCE:	N/A
PRODUCT(S) AFFECTED:	<ul style="list-style-type: none"> AlphaEclipse StreetSmart signs
SUMMARY:	This document describes the symptoms of ground wires not being connected properly to the sign and how to fix the problem.

Overview

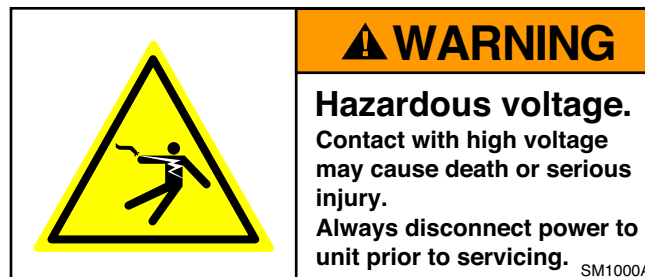
If your sign is randomly turning off and on, you need to check that the ground wires on all the power supplies are properly connected.

Checking and securing the ground wires

1. Prevent electrostatic discharge (ESD) or "static" damage to the replacement part. For safe handling of ESD-sensitive parts, see TechMemo #00-0005.



2. Remove power from the sign.



© Copyright 2005 Adaptive Micro Systems LLC. All rights reserved.

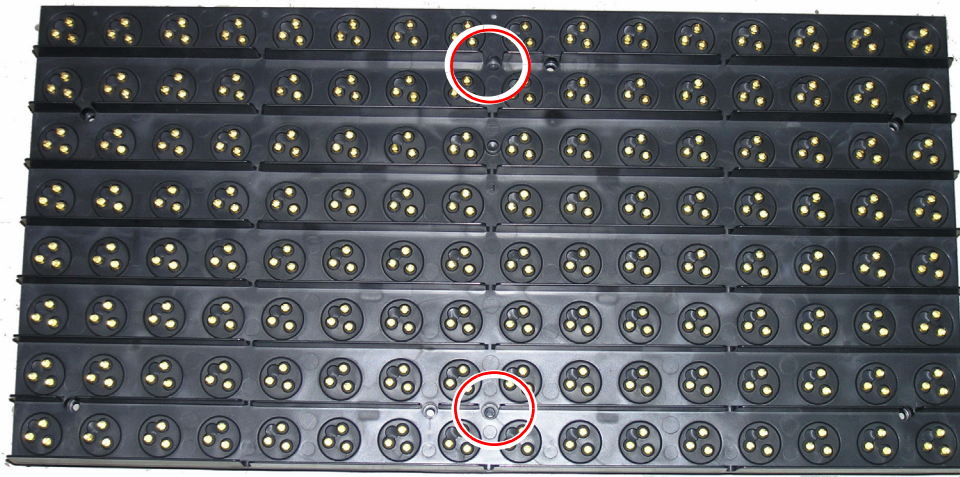
Adaptive Micro Systems • 7840 North 86th Street • Milwaukee, WI 53224 USA • 414-357-2020 • 414-357-2029 (fax) • <http://www.adaptivedisplays.com>
 Trademarked names appear throughout this document. Rather than list the names and entities that own the trademarks or insert a trademark symbol with each mention of the trademarked name, the publisher states that it is using names for editorial purposes and to the benefit of the trademark owner with no intention of improperly using the trademark.

The following are trademarks of Adaptive Micro Systems: Adaptive, Alpha, AlphaLert, AlphaNET, AlphaNet plus, AlphaEclipse, AlphaEclipse RoadStar, AlphaEclipse StreetSmart, AlphaPremiere, AlphaTicker, AlphaVision, AlphaVision InfoTracker, AlphaXpress, Automode, BetaBrite, BetaBrite Director, BetaBrite Messaging Software, Big Dot, Director, EZ KEY II, EZ95, PagerNET, PPD, PrintPak, Serial Clock, Smart Alec, Solar, TimeNet.

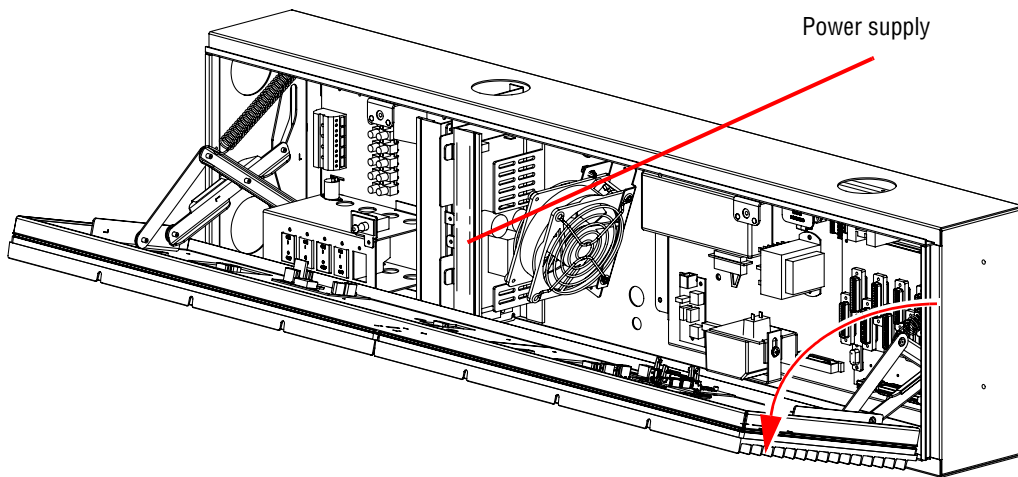
The distinctive trade dress of this product is a trademark claimed by Adaptive Micro Systems LLC. Due to continuing product innovation, specifications in this manual are subject to change without notice. If you have questions regarding this call Technical Support at 1-800-558-7022 X-519.

- To access the back of the power supply, use a 5/32-inch hex tool to loosen the hex screws (circled below) from the section door. Then open the door:

NOTE: Door sizes and screw counts vary.



Use 5/32" hex tool to loosen the screws.

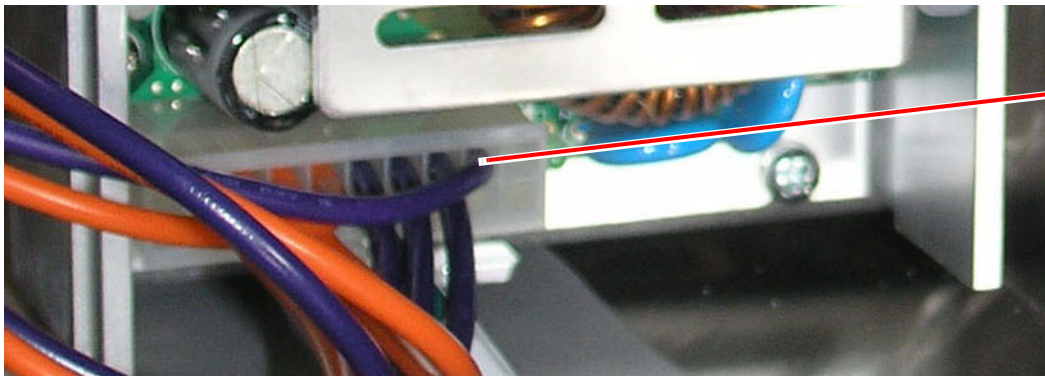


Power supply

Open the sign door.

- The ground wire is light purple and is attached to the bottom of the power supply. Verify that each ground wire is tightly secured by lightly tugging on the wire.

NOTE: Location of ground wire will vary, but they will always be grouped with the dark purple wires. If you can't tell the difference between the light and dark purple wires, lightly tug all purple wires.

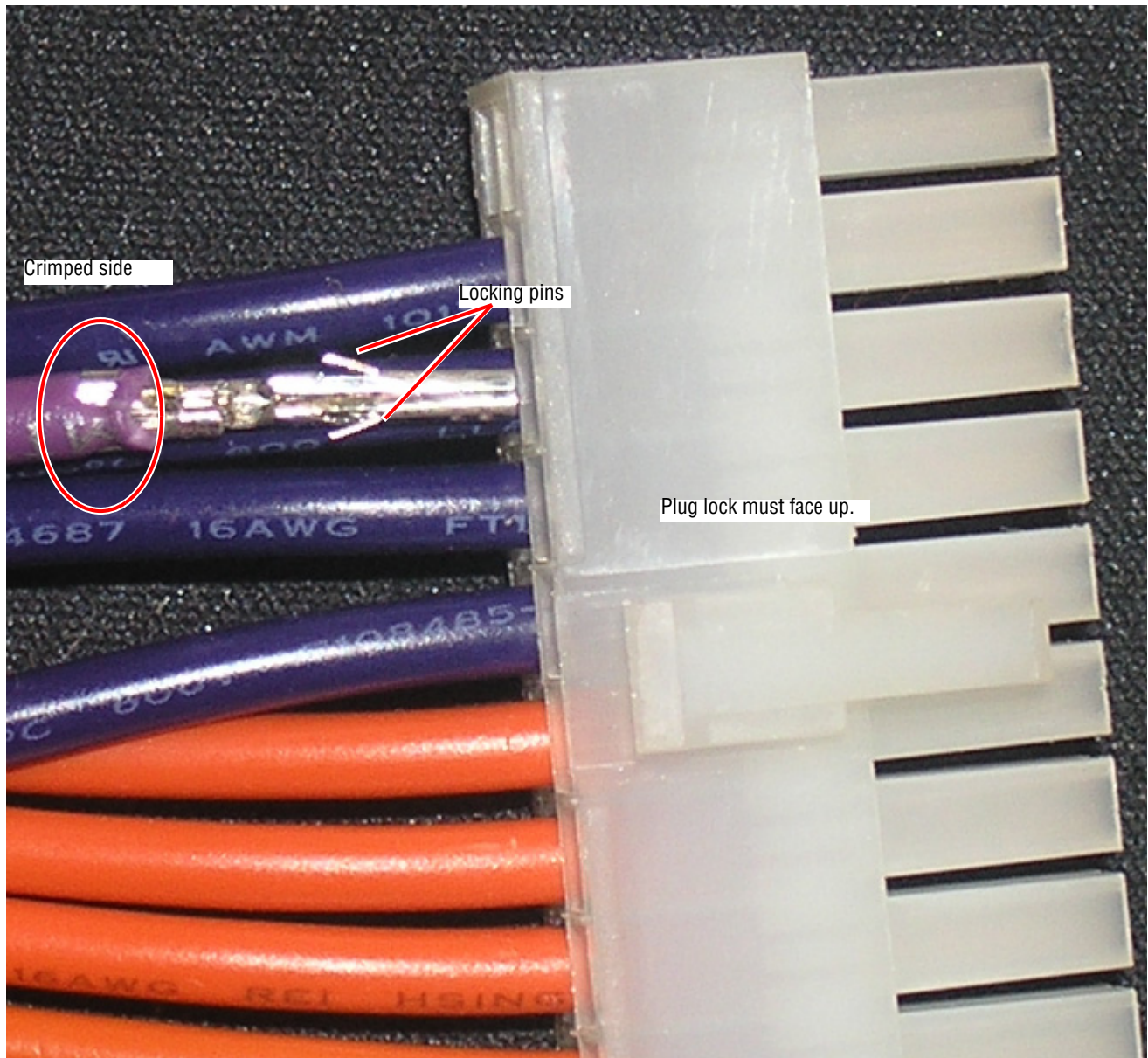


Ground wire

5. If the ground wire comes out of the plug, re-insert as shown below.

See image below to verify that the:

- Plug lock faces up.
- Crimped side faces up.
- Locking pins are inserted horizontally.



6. Repeat on all power supplies.
7. Close the sign door.
8. Reapply power to the sign.

(This page intentionally left blank)