

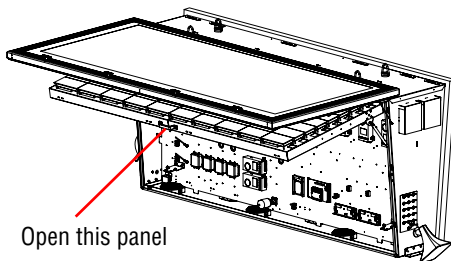
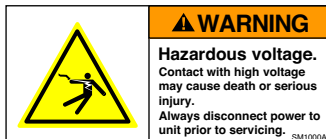


PRIORITY:	Normal
DATE:	August 3, 2006
TITLE:	AVPC Fan Replacement Kit Instructions
ECO REFERENCE:	
PRODUCT(S) AFFECTED:	AVPC320112T1, AVPC320112T2, AVPC320128T1, AVPC320128T2
SUMMARY:	These instructions explain how to improve the cooling capability of these signs by removing the filter guards and filters from the exhaust vents and replacing them with fan assemblies. Kit Part Number: 1132230301. NOTE: You will need two (2) AVPC Fan Replacement Kits to service a double-sided sign.

1

Disconnect power and open sign:

Be aware of the following safety considerations when servicing signs:



- Disconnect all power from the sign at the power source to prevent electrical injury or damage.
- Turn the panel latches counter-clockwise. Carefully raise the panel of the sign.
- Engage support latches if applicable.

© Copyright 2006 Adaptive Micro Systems LLC. All rights reserved.

Adaptive Micro Systems • 7840 North 86th Street • Milwaukee, WI 53224 USA • 414-357-2020 • 414-357-2029 (fax) • <http://www.adaptivedisplays.com>
Trademarked names appear throughout this document. Rather than list the names and entities that own the trademarks or insert a trademark symbol with each mention of the trademarked name, the publisher states that it is using names for editorial purposes and to the benefit of the trademark owner with no intention of improperly using the trademark.

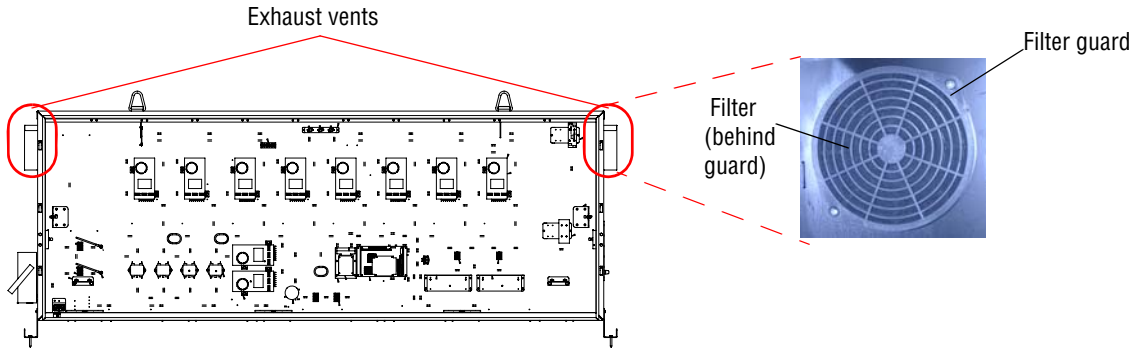
The following are trademarks of Adaptive Micro Systems: Adaptive, Alpha, AlphaLert, AlphaNET, AlphaNet plus, AlphaEclipse, AlphaEclipse RoadStar, AlphaEclipse StreetSmart, AlphaPremiere, AlphaTicker, AlphaVision, AlphaVision InfoTracker, Automode, BetaBrite, BetaBrite Director, BetaBrite Messaging Software, Big Dot, Director, EZ KEY II, EZ95, PagerNET, PPD, PrintPak, Serial Clock, Smart Alec, Solar, TimeNet.

The distinctive trade dress of this product is a trademark claimed by Adaptive Micro Systems LLC.
Due to continuing product innovation, specifications in this manual are subject to change without notice.

2

Remove the filter guards and filters from the exhaust vents:

- Remove the two (2) screws, filter guard and filter from the exhaust vent.
- If the filter is clean, place it in the document bag for future use.
- Discard the filter guard and screws.
- Repeat this step for the each exhaust vent.

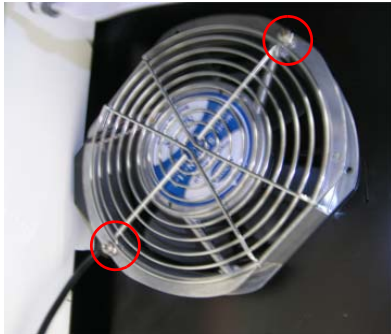


3

Replace with fan assembly:

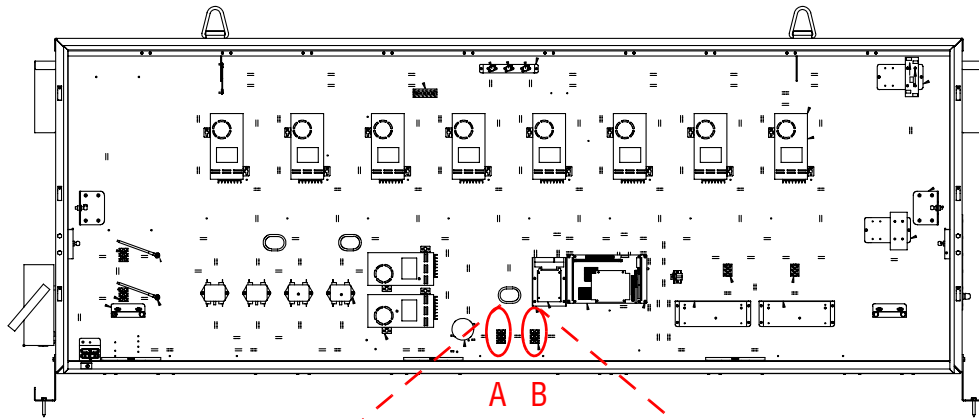
- Plug the fan cord into the fan assembly.
- Seat the fan assembly into position and hand tighten the two (2) screws until tight.

NOTE: Do not torque the screws more than 12 in-lbs.

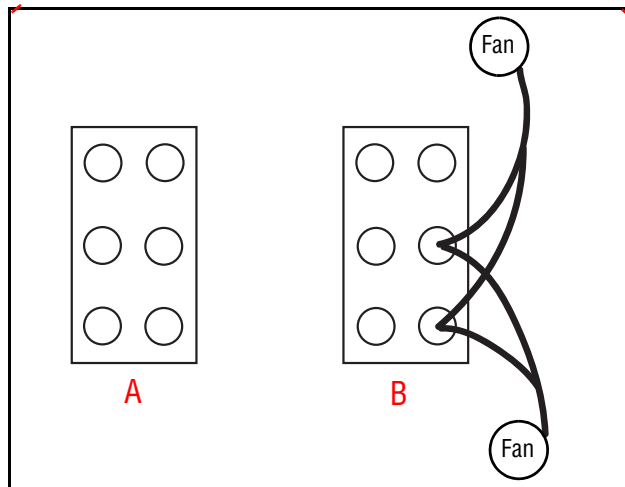


- Repeat this step for the each fan assembly.

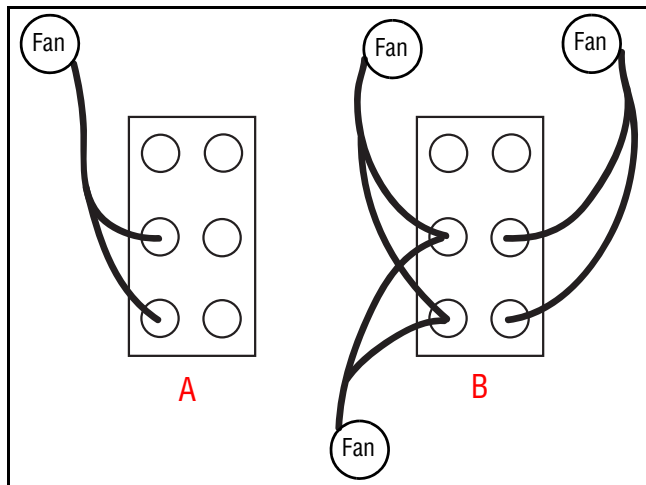
4 Wire the fan to the terminal block:



Wiring for a single-sided sign



Wiring for a double-sided sign

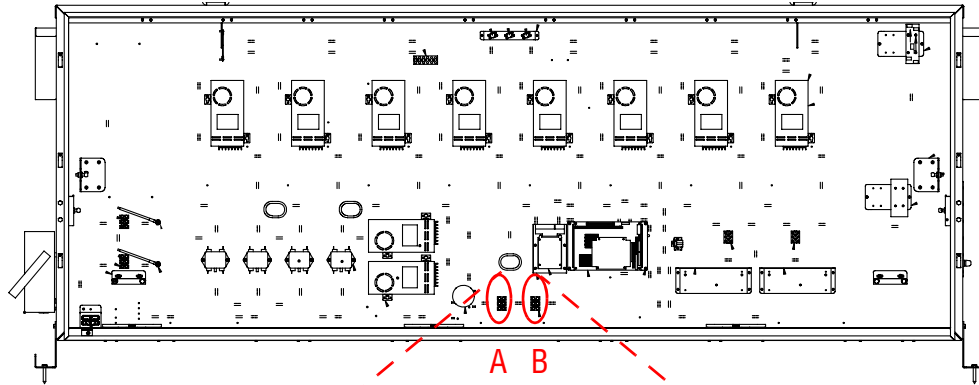


- Make sure that all existing wires remain inserted properly into each terminal.
- Secure fan cords to the bottom of the sign with the wire ties provided.

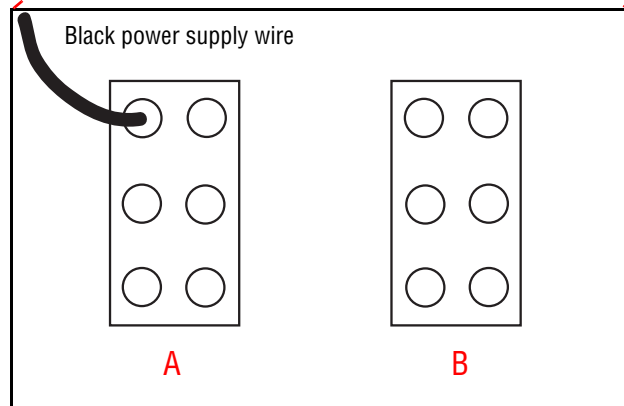
5

Test fans for proper installation:

- Remove the black power supply wire from Position 1 and connect it to Position 2.
- Power on the sign and check to make sure air is blowing out of each exhaust vent.
- Power off the sign.
- Remove the black power supply wire from Position 2 and reconnect it to Position 1.
- Close the sign.



Position 1



Position 2

