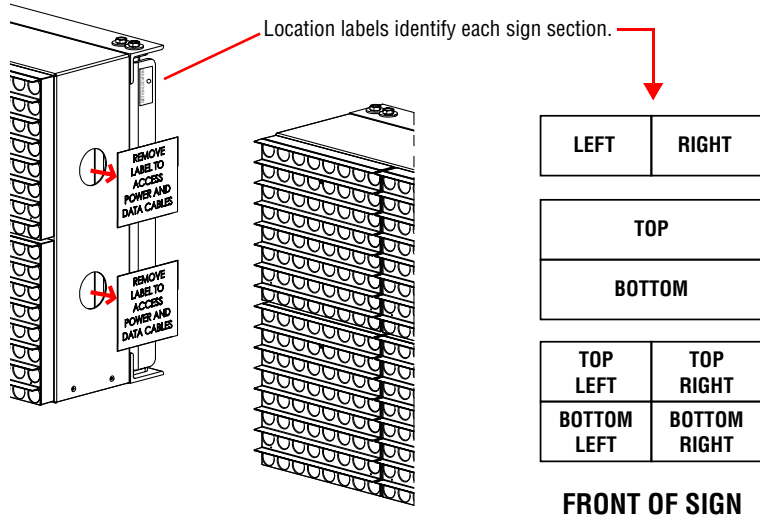


READ THIS FIRST

Interconnection Instructions for Multiple Section AlphaEclipse 3600 Signs



1 Remove the access labels from each sign section. Use location labels to join sign sections.



2 Mount sections flush with one another so that rubber grommets can be attached later (see step 4). Before continuing, make sure power has been removed from the sign.

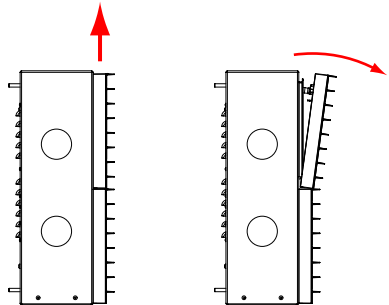


3 Remove the LED boards next to each section of the sign:

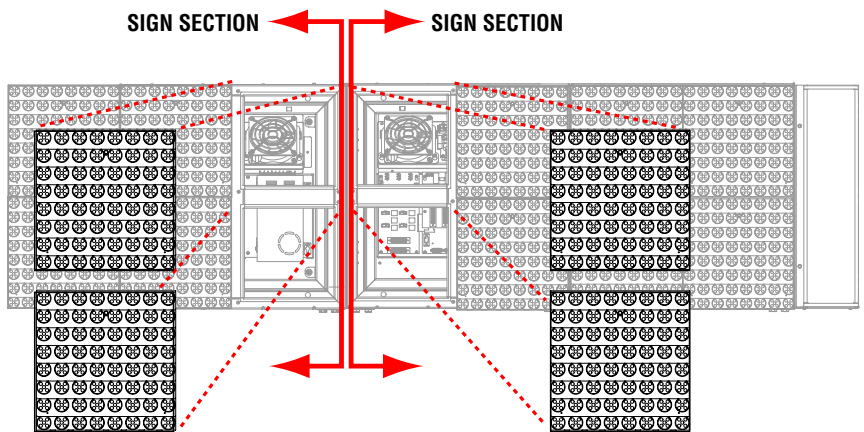
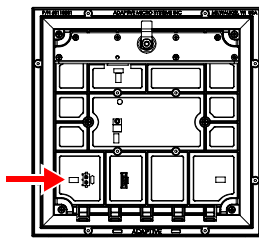
(1) Insert the hex tool in LED board opening and turn counterclockwise 180°.



(2) Lift up on LED board. (3) Pull LED board back.

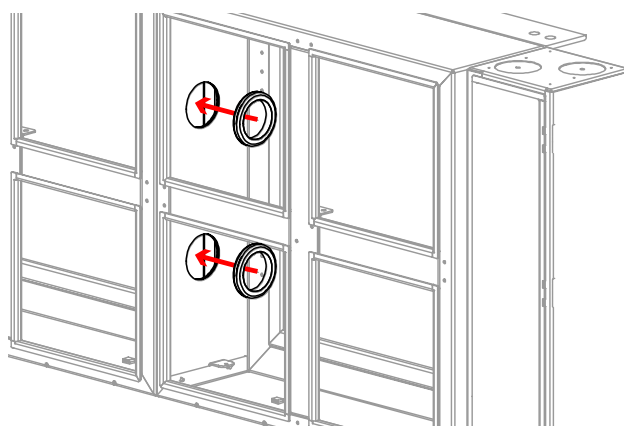


(3) Remove cables from back of LED board.



(4) Remove LED board from sign.
Each board must be put back in the same location from which it was removed.

4 Place the rubber grommets that are provided in each hole between the sign sections:



5 Connect the cables that are between each sign section:



6 Reattach the LED boards.

- Each board must be put back in the same location from which it was removed.

© Copyright 2003 Adaptive Micro Systems, LLC. All rights reserved.

Adaptive Micro Systems • 7840 North 86th Street • Milwaukee, WI 53224 USA • 414-357-2020 • 414-357-2029 (fax) • <http://www.adaptivedisplays.com>

Trademarked names appear throughout this document. Rather than list the names and entities that own the trademarks or insert a trademark symbol with each mention of the trademarked name, the publisher states that it is using names for editorial purposes and to the benefit of the trademark owner with no intention of improperly using the trademark.

The following are trademarks of Adaptive Micro Systems: Adaptive, Alpha, AlphaLert, AlphaNET, AlphaNet plus, AlphaEclipse, AlphaPremiere, AlphaTicker, AlphaVision, AlphaVision InfoTracker, Automode, BetaBrite, BetaBrite Director, BetaBrite Messaging Software, Big Dot, Director, EZ KEY II, EZ95, PagerNET, PPD, PrintPak, Serial Clock, Smart Alec, Solar, TimeNet.

The distinctive trade dress of this product is a trademark claimed by Adaptive Micro Systems, LLC.
Due to continuing product innovation, specifications in this manual are subject to change without notice.