

Contents

Introduction	1
Purpose	1
Revision history	1
Related documentation	1
Controlling electrostatic discharge	1
Equipment overview	2
Description	2
Equipment identification	2
EMI compliance	3
Installation	3
Wall or counter mounting	3
Ceiling mounting	4

Introduction

Alpha[®] 220 DC-powered LED signs can display text messages in a variety of fonts, colors, and text effects or modes.

The sign can display between 20 to 24, 2.1-inch characters.

The sign is powered by 5 VDC and has an input current rating of 8.0 amperes. Operating temperature: 32° – 120°F (0° – 49°C).

NOTE: The Alpha[®] 220 DC-powered LED sign is for indoor use only and should not be continuously exposed to direct sunlight.

Purpose

These instructions are intended as a guide for the installation and setup of an Alpha[®] 220 DC-powered LED sign.

Revision history

Part number	Date	Notes
9701-4011	April 23, 2003	First release

Related documentation

Part number	Title	Notes
9700-0112	Networking Alpha [®] Signs	This manual explains how to connect Alpha [®] signs into wired and wireless networks.
9708-8061	Alpha [®] Sign Communications Protocol	This programmer's reference guide discusses communicating with an Alpha [®] sign using its native protocol language.

Controlling electrostatic discharge



Adaptive Micro System signs contain components that may be damaged by electrostatic discharge (static electricity). Follow the guidelines in Adaptive TechMemo 00-0005, **Preventing Electrostatic Discharge (ESD) Damage**, available on Adaptive's web site: <http://www.adaptivedisplays.com>.

Equipment overview

Description

Item	Name	Description
A	5-volt power connector	
B	Power opening	Opening for 5-volt power connector
C	Serial communications jack	RJ11 connection to either a RS232 or RS485 network

Equipment identification

THIS DEVICE COMPLIES WITH PART 15 OF THE FCC RULES. OPERATION IS SUBJECT TO THE FOLLOWING TWO CONDITIONS:
 (1) THIS DEVICE MAY NOT CAUSE HARMFUL INTERFERENCE.
 (2) THIS DEVICE MUST ACCEPT ANY INTERFERENCE RECEIVED, INCLUDING INTERFERENCE THAT MAY CAUSE UNDESIRABLE OPERATION.

This Class A digital apparatus meets all requirements of the Canadian Interference-Causing Equipment Regulations.
 Cet appareil numérique de la class A respecte toutes les exigences du Règlement sur le matériel brouilleur du Canada.

RECOGNIZED COMPONENT
 CERTIFIED TO CAN/CSA STD. C22.2 No. 69050-00

 LISTED US
 CONFORMS TO ANSII/UL STD. No. 60950
 THIRD EDITION
 9801452
 THE DISTINCTIVE TRADE DRESS OF THIS PRODUCT IS A TRADEMARK OF ADAPTIVE MICRO SYSTEMS, INC.

MODEL NO.: **220AA-DC**
 SERIES: **A**
 VOLTS: **5VDC**
 AMPS: **8.0A**

DATE OF MANUFACTURE: **12/16/2003**
 SERIAL NO.: **EJ1001001**

PARTS SERVICEABLE BY TRAINED TECHNICIANS ONLY!
 DISCONNECT POWER BEFORE SERVICING!

ADAPTIVE
 Adaptive Micro Systems Inc
 Milwaukee, Wisconsin 53224 USA

Item	Name	Description
A	Model number	<p>220AA-DC</p> <p>→ Direct-current powered</p> <p>→ Model: 220AA = double amber LEDs, 220A = amber LEDs, 220C = tri-color (red, green, and amber LEDs), 220G = green LEDs, 220R = red LEDs</p>
B	Series	Revision level of this product
C	Electrical information	Input voltage and amperage
D	Date of manufacture	Month, day, and year the sign was made
E	Serial number	Consecutive, unique identification number

EMI compliance

This equipment has been tested and found to comply with the limits for a Class A digital device, pursuant to Part 15 of the FCC Rules. These limits are designed to provide reasonable protection against harmful interference when the equipment is operated in a commercial environment.

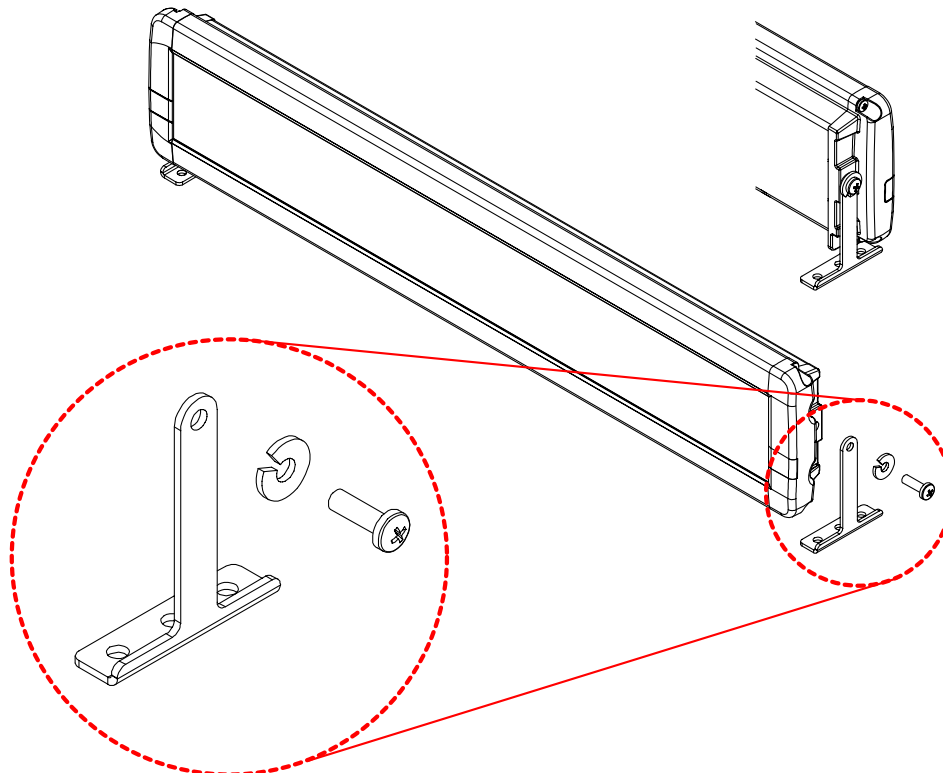
This equipment generates, uses, and can radiate radio frequency energy and, if not installed and used in accordance with installation guidelines, may cause harmful interference to radio communications. Operation of this equipment in a residential area is likely to cause harmful interference, in which case the user will be required to correct the interference at his own expense.

Installation



NOTE: Mounting hardware that is used to hang or suspend the sign must be capable of supporting *at least 4 times* the weight of the sign.

Wall or counter mounting



Ceiling mounting

