

Overview

The AlphaEclipse Modem Surge Protector kit (pn 11709022) is designed to protect the modem from surge-related failures in the AlphaEclipse 2500, 2600, and 3500 Series B signs.

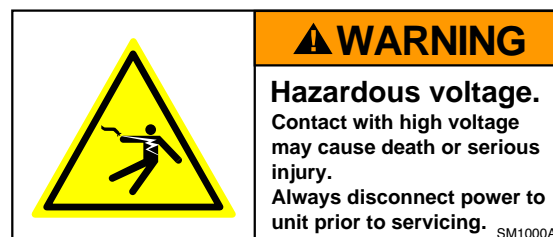
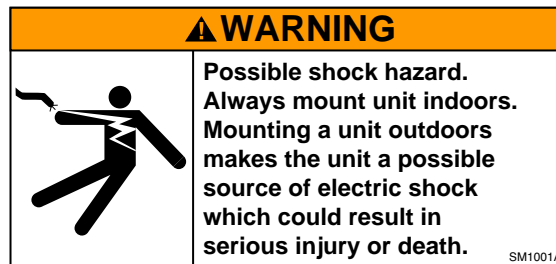
Preventing electrostatic discharge damage



This equipment contains components that may be damaged by “static electricity”, or electrostatic discharge. To prevent this from happening, be sure to follow the guidelines in Adaptive Tech Memo 00-0005, “*Preventing Electrostatic Discharge (ESD) Damage*,” available on our Web site at <http://www.adaptivedisplays.com>.

Warnings and cautions

Always disconnect power before you begin installation to avoid any chance of electric shock.



© Copyright 2003 Adaptive Micro Systems, LLC. All rights reserved.

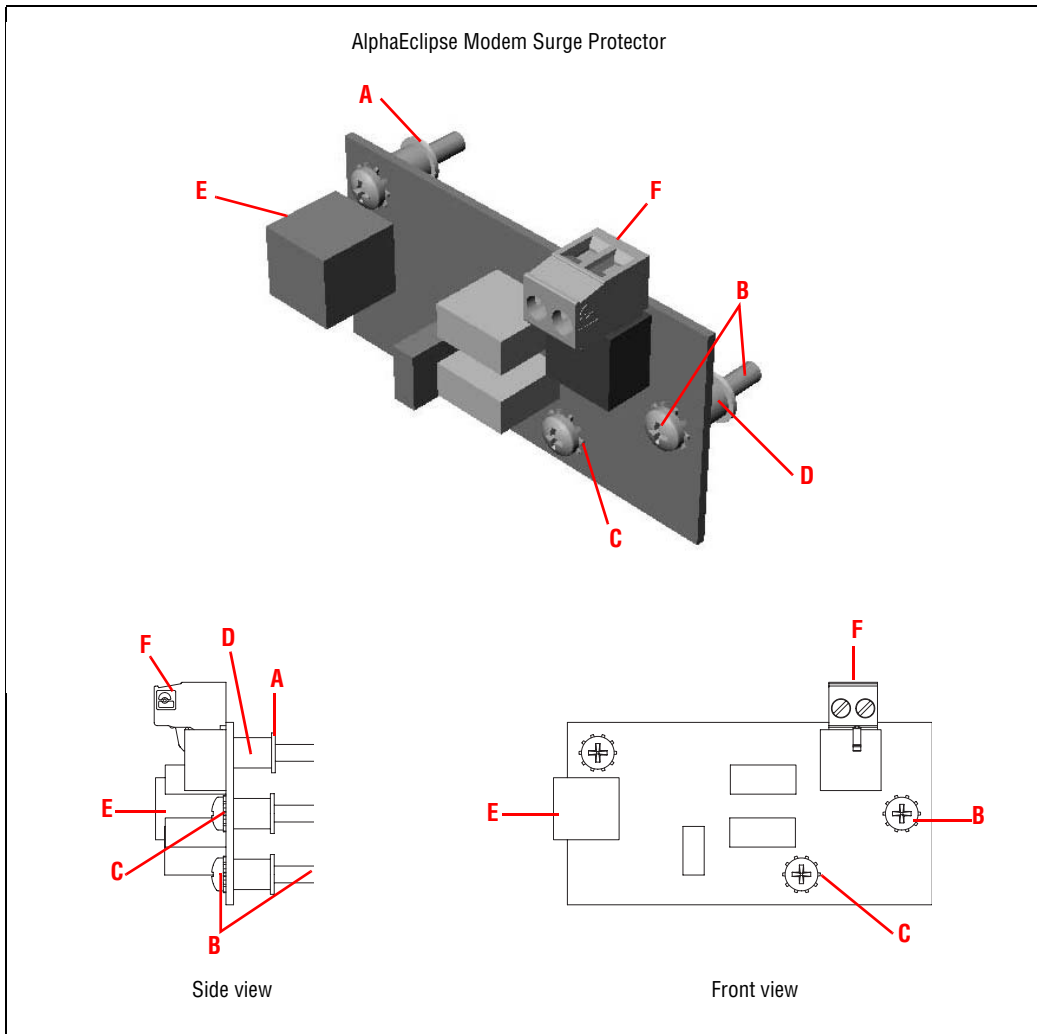
Adaptive Micro Systems • 7840 North 86th Street • Milwaukee, WI 53224 USA • 414-357-2020 • 414-357-2029 (fax) • <http://www.adaptivedisplays.com>

Trademarked names appear throughout this document. Rather than list the names and entities that own the trademarks or insert a trademark symbol with each mention of the trademarked name, the publisher states that it is using names for editorial purposes and to the benefit of the trademark owner with no intention of improperly using the trademark.

The following are trademarks of Adaptive Micro Systems: ActiveX, Adaptive, Alpha, AlphaLert, AlphaNET, AlphaNet plus, AlphaEclipse, AlphaPremiere, AlphaTicker, AlphaVision, AlphaVision InfoTracker, Automode, BetaBrite, BetaBrite Director, BetaBrite Messaging Software, Big Dot, Director, EZ KEY II, EZ95, PagerNET, PPD, PrintPak, Serial Clock, Smart Alec, Solar, TimeNet.

The distinctive trade dress of this product is a trademark claimed by Adaptive Micro Systems, LLC.
Due to continuing product innovation, specifications in this manual are subject to change without notice.

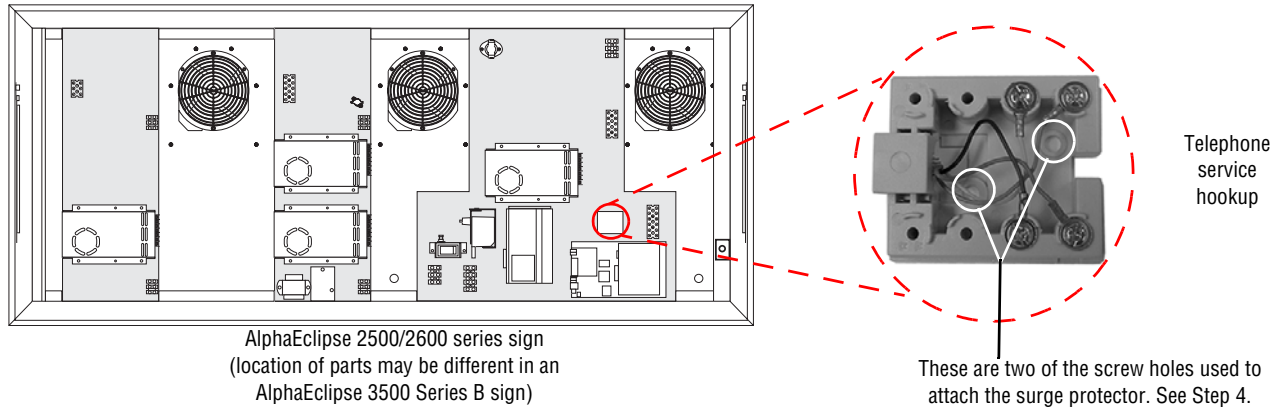
Description



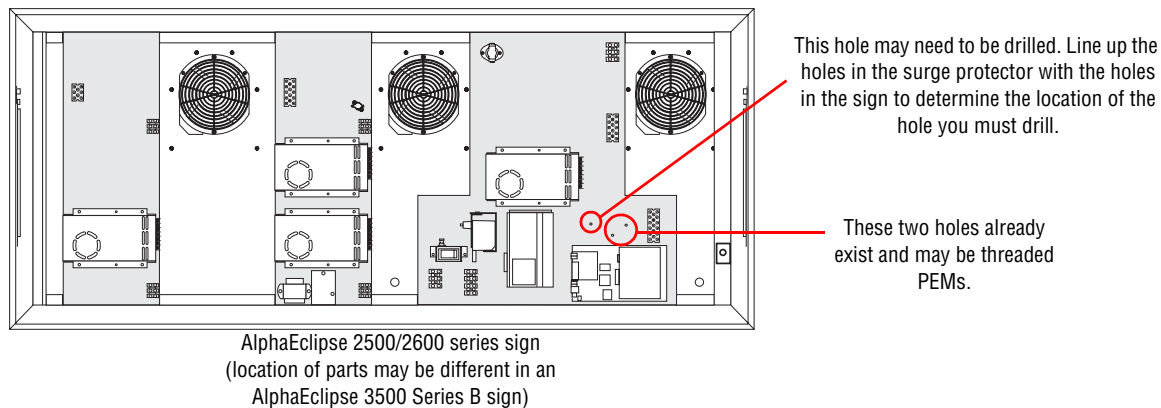
Item	Part number	Description
A	61810011	#6 nylon retaining washer (.031-inch)
B	61230663	6-32 x .75-inch thread forming screw
C	61820001	5/16-inch lock washer, external tooth
D	63011121	Spacers (.5-inch)
E	N/A	RJ11 connector
F	43201021	Terminal block

Installation guidelines

1. Disconnect power from the sign.
2. Open the sign according to the directions in your AlphaEclipse installation manual.
3. Take out the telephone service hookup in your sign by removing the screws and disconnecting the wiring.



4. Install the surge protector where the telephone service hookup used to be. A .120-inch diameter hole may need to be drilled using a #31 drill bit (see the "Surge Protector Template" on page 5). Do NOT oversize the hole.

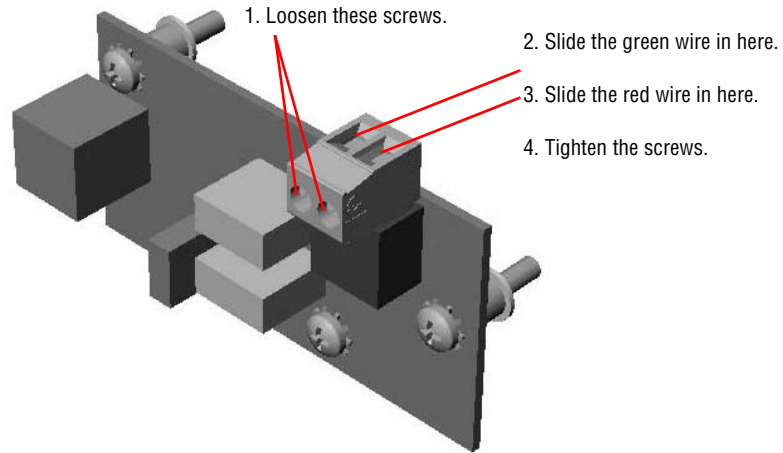


5. Line up the holes in the surge protector with the holes in the sign and then secure the protector to the sign with the appropriate hardware. (See "Description" on page 2.) The torque for the threadforming screws is 15in-lbs.

NOTE: Grounding is essential for proper operation of the surge protector and takes place through the screws. Proper torque is required.

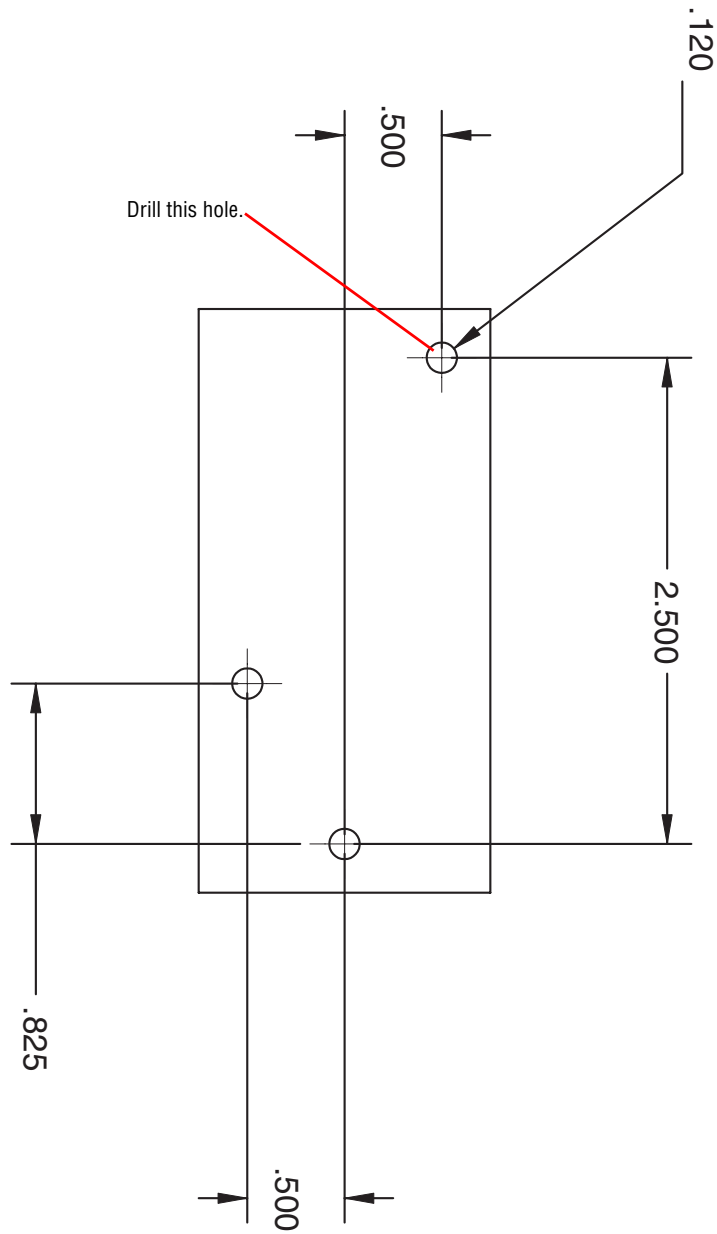
6. Clip the yellow and black wires used for the telephone service hookup.

7. Connect the green (TIP) and red (RING) wires used for the telephone service hookup to the terminal block:



8. Plug the RJ11 from the receiving modem into the RJ11 connector on the surge protector (see "Description" on page 2).
9. Close the sign according to the directions in your AlphaEclipse installation manual.

Surge Protector Template



Do *not* oversize the hole. Be mindful of the shavings when drilling through metal.

