

AlphaEclipse™ RoadStar™ Series Outdoor LED Display

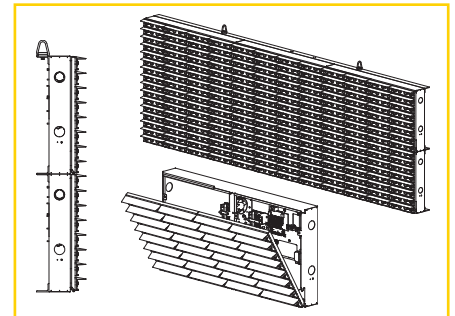


AlphaEclipse™ ROAD STAR Series

The AlphaEclipse™ RoadStar™ series is designed for maximum visibility along highways, highly elevated installations, or any application requiring long distance visibility. Its unique, modular, state-of-the-art design produces a dynamic advertising message center that is highly energy efficient, easy to operate, install and service.

Advertise your products and services at a moments notice to dramatically increase your company's sales and profits, like no other advertising medium can. Become a recognized landmark in your local community. Superior PureColor™ LED design exhibits excellent color contrast, is very bright and provides you with a display that will impact your daily drive-by audience with dazzling, professional advertising messages that cannot be ignored.

- **Retrofit** – Replace your old incandescent or flip disk technology.
- **Flexible** – Many modular sizes to meet your display needs from 1.5ft. tall x 5ft. long to 14ft. tall x 46ft. long.
- **Powerful** – Visible from several hundred to over 3000 feet—large diameter LED pixels.
- **Dynamic** – At a moment's notice, brilliant advertising messages and graphics attract the attention of your drive-by audiences.
- **Efficient** – Energy Smart Technology is affordable, reliable and energy efficient.
- **Economical** – A *single investment* in LED advertising displays will help you to eliminate reoccurring expenditures on traditional yellow pages, newspaper, radio, TV (shotgun) advertising that do not reach your targeted drive-by audience.
- **Profitable** – Create new sales and profits as no other advertising medium can by stimulating and increasing daily impulse purchases.



- All weather fully modular case design
- Easy front case access to all parts
- Red or amber color options

Standard Features

- AlphaNet™ Pro Software included with exclusive user tutorial CBT(computer based training) program
- Five-year limited factory depot warranty
- PureColor™ LED design enables maximum brightness
- Convenient calendar scheduling of messages
- Display text, graphics and animations (BMP/GIF)
- Front access to all electronic components
- Modular design enables fast delivery
- Many sizes from 1.5' x 5' to 14' x 46'
- Convenient PC control from home/office
- Wired or wireless connectivity
- 256 shades of red or amber



AlphaEclipse™ RoadStar™ Series Specifications*

| Rows | Columns | Depth: 17.5" is 10"D 24.5" is 11.75"D Case H" x W" | | Character Height Per Line 17.5" Display | Character Height Per Line 24.5" Display | Number of Characters Per Line | Red Rated Max 115VAC Input Current (Amps) | | Amber Rated Max 115VAC input Current (Amps) | | Weight with mounting brackets | | Number of sections to ship & install |
|------|---------|---|-------------|--|---|-------------------------------|---|------------|---|----------------|-------------------------------|------|--------------------------------------|
| | | 17.5 | 24.5 | | | | 17.5 | 24.5 | 17.5 | 24.5 | 17.5 | 24.5 | |
| | | 7 | 64 | | | | 1'8"x13'4" | 2'4"x18'8" | 17.5" / 1 line | 24.5" / 1 line | 10/1 | 6 | |
| 7 | 80 | 1'8"x16'8" | 2'4"x23'4" | 13/1 | 7 | 11 | 11 | 15 | | | 360 | 440 | 2 |
| 7 | 96 | 1'8"x20' | 2'4"x28' | 16/1 | 8 | 13 | 13 | 18 | | | 310 | 530 | 2 |
| 16 | 64 | 3'4"x13'4" | 4'8"x18'8" | 40" / 1 line | 56" / 1 line 24.5" / 2 lines | 10/2 | 12 | 19 | 18 | 27 | 460 | 770 | 2 |
| 16 | 80 | 3'4"x16'8" | 4'8"x23'4" | 25" / 1 line | | 13/2 | 14 | 23 | 23 | 33 | 580 | 960 | 2 |
| 16 | 96 | 3'4"x20' | 4'8"x28' | 17.5" / 2 lines | | 16/2 | 17 | 27 | 27 | 39 | 690 | 1150 | 2 |
| 24 | 64 | 5'x13'4" | 7'x18'8" | 60" / 1 line | 84" / 1 line 35" / 2 line 17.5" / 4 lines | 21/1 | 17 | 27 | 27 | 39 | 690 | 1155 | 2 |
| 24 | 80 | 5'x16'8" | 7'x23'4" | 50" / 1 line | | 24/1 | 21 | 34 | 34 | 49 | 870 | 1440 | 2 |
| 24 | 96 | 5'x20' | 7'x28' | 25" / 2 line | | 26/1 | 25 | 41 | 40 | 58 | 1035 | 1725 | 2 |
| 32 | 64 | 6'8"x13'4" | 9'4"x18'8" | 80" / 1 line | 112" / 1 line 53" / 2 line 35" / 3 lines 17.5" / 5 lines | 10/4 | 22 | 36 | 36 | 52 | 920 | 1540 | 2 |
| 32 | 80 | 6'8"x16'8" | 9'4"x23'4" | 50" / 1 line | | 13/4 | 28 | 45 | 45 | 65 | 1160 | 1925 | 2 |
| 32 | 96 | 6'8"x20' | 9'4"x28' | 37.5" / 2 line | | 16/4 | 33 | 54 | 53 | 77 | 1380 | 2300 | 2 |
| 40 | 64 | 8'4"x13'4" | 11'8"x18'8" | 80" / 1 line | 112" / 1 line 53" / 2 line 35" / 3 lines 17.5" / 6 lines | 10/5 | 28 | 45 | 45 | 65 | 1150 | 1925 | 4 |
| 40 | 80 | 8'4"x16'8" | 11'8"x23'4" | 50" / 2 line | | 13/5 | 34 | 56 | 56 | 81 | 1450 | 2400 | 4 |
| 40 | 96 | 8'4"x20' | 11'8"x28' | 25" / 3 lines | | 16/5 | 41 | 67 | 67 | 96 | 1725 | 2875 | 4 |
| 48 | 64 | 10'x13'4" | 14'x18'8" | 80" / 1 line | 112" / 1 line 70" / 2 line 53" / 3 line 35" / 4 lines 17.5" / 8 lines | 10/6 | 33 | 54 | 53 | 77 | 1380 | 2310 | 4 |
| 48 | 80 | 10'x16'8" | 14'x23'4" | 50" / 2 line | | 13/6 | 41 | 67 | 67 | 96 | 1740 | 2880 | 4 |
| 48 | 96 | 10'x20' | 14'x28' | 37.5" / 3 line | | 16/6 | 49 | 80 | 80 | 115 | 2070 | 3450 | 4 |

* Nominal specifications, dimensions, and weights - Please contact your AlphaEclipse dealer for architectural drawings. Due to continuing product innovations, all specifications are subject to change without notice.

| | |
|--|--|
| Pixel (LED) Color: | 256 shades of red or amber |
| Viewability: | 125° |
| Center-to-Center Pixel Spacing (Pitch): | 17.5" character -2.5" (64mm) Pitch 24.5" character -3.5" (89mm) Pitch |
| Character Set: | International character set, block (sans serif), decorative (serif), upper/lower case, slim, wide, double wide, and shadow |
| Message Capacity: | 95 different messages can be stored and scheduled to be displayed according to time and date |
| Message Presentation: | - 27 unique presentation styles - Continuous message entry with automatic centering in any mode - User programmable logos and graphics - Programmable hold times - up to 6 minutes - Calendar scheduling |
| Temperature Accuracy: | ±1° Typically |
| Clock/Date: | Date in multiple formats and time in 12 or 24-hour formats |
| Serial Communication Interface: | Standard RS232 and RS485 Options: On site wireless, telephone or fiberoptic modem. Factory tested, configured and installed inside the AlphaEclipse case |
| Battery: | Lithium battery for time/date retention during power interruptions for at least 1 year |
| Special Features: | - Sealed enclosure design prevents external contaminate penetration and filter maintenance |

| | |
|-------------------------------------|--|
| (Special Features Continued) | - Industry standard compact flash memory for message storage - Comprehensive remote diagnostic program - External temperature probe (optional) - Internal AC power switch for servicing - Light colored, designed to limit solar heat rise internally - Automatic thermal protection - Serially uploadable FLASH EPROM memory for upgrading firmware - Auto night time dimming (8 levels) - Back to back synchronization supported |
| Communications: | Alpha® Communications Protocol |
| Power: | 115/230 VAC ± 10% - 50/60 Hz single phase |
| Case Material: | UL 50 type 3R, IP 44, aluminum cabinet |
| Limited Warranty: | Five-year limited factory depot parts warranty |
| Agency Approvals: | FCC Part 15, Class A ANSI/UL 60950 -1 CAN/CSA C22.2 60950-1-03 C-ETL-US listing mark and CE marking |
| Operating Temperature: | -40° to 122°F / -40° to 50°C |
| Mounting: | Steel mounting angle Design facilitates welding, bolting, or riveting techniques |
| Module/case dimensions: | - Front access to all components - Lift off hinged door for ease of service - 17.5" char. is 10" deep including steel mtg. brackets - 24.5" char. is 11.75" deep including steel mtg. brackets * Note: Many additional matrix sizes available to 14" x 46", consult your AlphaEclipse dealer. |